

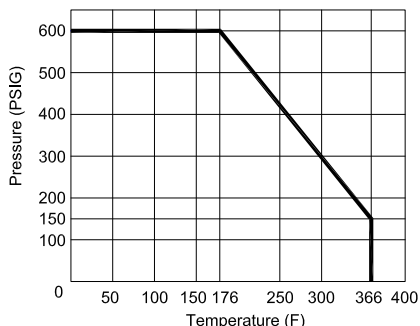
## LOW LEAD COMPLIANT 2 PC 600 WOG BALL VALVE

**Features:**

- 600 WOG
- 150 WSP
- Full Port
- NSF 61 Annex G Certified (UL) (Annex G references NSF 372)
- Meets MSS SP-110 Standards
- Blow-out Proof Stem
- Adjustable Packing
- Threaded NPT Ends Per ANSI B 1.20.1
- 100% Electronically Tested in Open and Closed Position at 80 PSI
- Optional Lock Lever \*
- Optional Stem Extension
- Optional Tee Handle (to 1")
- Optional Oval Handle
- Optional Memory Stop



**NOT FOR USE AT OR BELOW GROUND LEVEL**



**OPTIONS**



Lock Lever



Stem Extension



Tee or Oval Handle



Memory Stop

Low Lead Compliant: Referring to laws defining "Lead Free" as wetted surface of pipe, fittings and fixtures in potable water systems that have a weighted average lead content  $\leq 0.25\%$  per the Safe Drinking Water Act (Sec. 1417) amended 1-4-2011 as well as other state regulations.



**Figure Number Matrix**

FNW X420A Size		
SIZE CODE		
1/2 = D	1-1/4 = H	2-1/2 = L
3/4 = F	1-1/2 = J	3 = M
1 = G	2 = K	4 = P



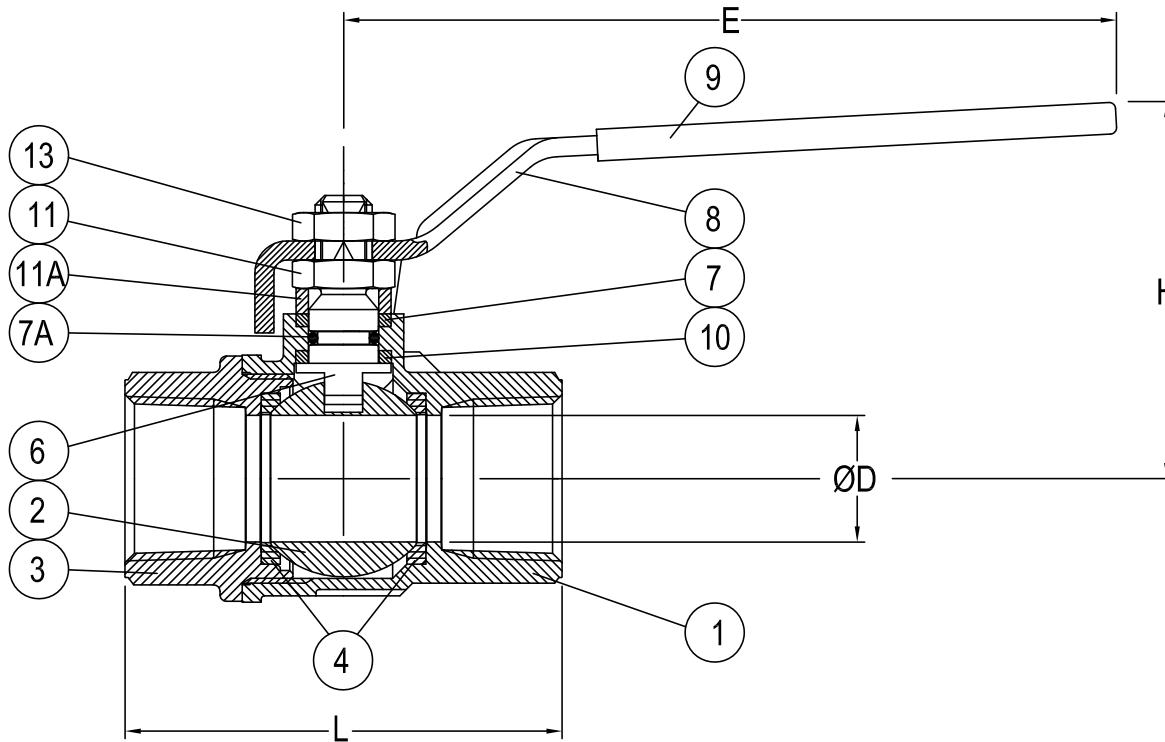
**Gas Approvals**

- CSA Class 3371-10, CGA 3.16, 125 PSIG, -40°F~149°F (1/4"~2")
- CSA Class 3371-88, ANSI Z21.15/CSA9.1, 1/2 PSIG, 32°F~188.6°F (1/2"~2")
- CSA Class 3371-90, ASME B16.33/b16.38, 125 PSIG, -40°F~149°F (1/4"~2")
- CSA Class 3371-92, ASME B16.44, 5 PSIG, -40°F~149°F (1/2"~2")
- CSA Class 3371-94, ASME B16.33, 125 PSIG, -40°F~149°F (1/2"~2")
- CSA Class 3371-97, UL-125, 250 PSIG, -40°F~130°F (1/4"~3/8")
- UL Class YRPV, ANSI/UL-842, 250 PSIG, -20°F~125°F (1/4"~2")
- UL Class YSDT, ANSI/UL-125, 250 PSIG, -40°F~130°F (1/4"~2")

**Kit Codes (Order Separately)**

FNW 420 Kit Size	
KIT TYPE	SIZE CODE
Locking Handle = LHK	1/4"~1/2" = BD
Stem Extension = SE	3/4"~1" = FG
Tee Handle = THK	1-1/4"~1-1/2" = HJ
Oval Handle = OHK	2" = K
Memory Stop = MSK	
Stainless Handle = SSHK	

### LOW LEAD COMPLIANT 2 PC 600 WOG BALL VALVE



#### Dimensions (inches)

Size	ØD	E	H	L	L1
1/2	0.59	3.86	1.81	2.44	0.50
3/4	0.79	4.80	2.28	2.71	0.75
1	0.98	4.80	2.44	3.07	0.91
1-1/4	1.26	6.02	3.00	3.42	0.96
1-1/2	1.57	6.02	3.23	3.89	1.10
2	1.95	6.38	3.74	4.33	1.34

#### Cv & Weights

Size	Cv	Wt. (Lbs)
1/2	19	0.48
3/4	34	0.79
1	50	1.22
1-1/4	103	2.14
1-1/2	266	3.20
2	307	4.08

#### Standard Materials

Ref. No.	Description	Material	Qty
1	Body	Brass CW 510L	1
2	Ball	Brass CW 510L (Chrome-Plated)	1
3	End Cap	Brass CW 510L	1
4	Seat	PTFE	2
6	Stem	Brass CW 510L	1
7	Stem Packing	PTFE	1 Set
7A	Stem O-Ring	NBR 75 Shore A	1
8	Handle	Steel DD11	1
9	Sleeve	Vinyl	1
10	Thrust Washer	PTFE	1
11	Gland Nut	Steel CL 04	1
11A	Packing Gland	Brass CW 614N UNI 12164	1
13	Handle Nut	Steel CL 04	1

DOC: FNWX42009 Ver. 1/2018

© 2018 - FNW. All rights reserved.22085

The FNW logo is a trademark of Ferguson Enterprises, Inc., PL Sourcing, PO Box 2778, Newport News, VA 23609

The contents of this publication are presented for information purposes only, and while effort has been made to ensure their accuracy, they are not to be construed as warranties or guarantees, expressed or implied, regarding the products or services described herein or their use or applicability. All sales are governed by our terms and conditions, which are available on request. We reserve the right to modify or improve the designs or specifications of our products at any time without notice. Always verify that you have the most recent product specifications or other documentation prior to the installation of these products.