

# SPECIFICATIONS

## FIGURE 7899 COUPLING

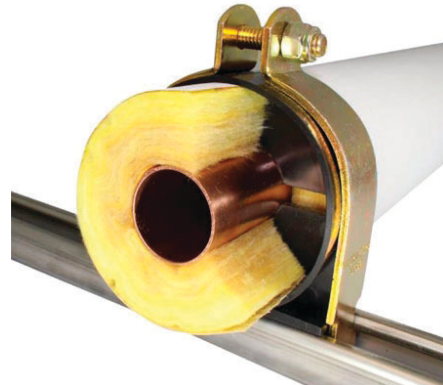


### INSULATION COUPLING

For use with fiberglass insulation

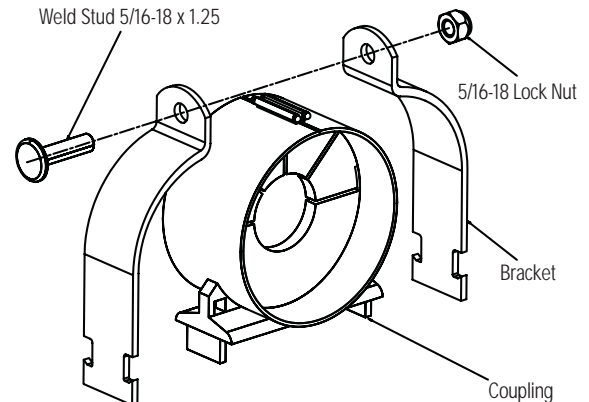
#### FEATURES

- UL Classified 2043 (25/50) for use in plenums and air handling systems
- Three times faster installation of fiberglass insulation than traditional methods
- All metal components have a Trivalent (non-hex) plating
- Available in 304 and 316 stainless steel
- Available for 5/8" to 5-1/8" O.D. tube and 1/2" to 3" nominal pipe
- Insulation wall thickness sizes include:  
1/2", 1", 1-1/2" and 2"
- Molded with high-strength Thermoplastic Olefin (TPO)
- Temperature rating: -60° F to +225° F

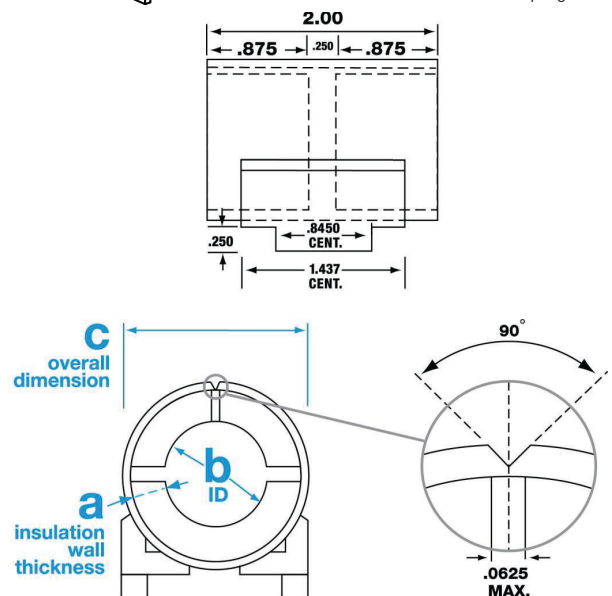


#### PRODUCT SPECIFICATIONS

- Weld stud 5/16-18" x 1.25"
- 1" Wall thickness (Sizes 7/8" to 1-1/8")
- 1-1/2" Wall thickness (Size 7/8")



a – Strut Mounted Coupling for 1/2" Wall Insulation		
Catalog Number	b – Clamp ID	C
	Tube OD	in.
FNW7899D0050	1/2" NOM	2.025
FNW7899D0062	5/8" OD	1.785
FNW7899D0075	3/4" NOM	2.285
FNW7899D0087	7/8" OD	2.025
FNW7899D0100	1" NOM	2.500
FNW7899D0112	1-1/8" OD	2.285
FNW7899D0125	1-1/4" NOM	2.845
FNW7899D0137	1-3/8" OD	2.500
FNW7899D0150	1-1/2" NOM	3.285
FNW7899D0162	1-5/8" OD	2.845
FNW7899D0212	2-1/8" OD	3.285



SPECIFICATIONS

**FIGURE 7899**

COUPLING

a – Strut Mounted Coupling for 1" Wall Insulation			
Catalog Number		b – Clamp ID Tube OD	C in.
FNW	G	/ " OD	.
FNW	G	/ " OD	.
FNW	G	/ " OD	.
FNW	G	- / " NOM	.
FNW	G	- / " NOM	.
FNW	G	" NOM	.
FNW	G	- / " NOM	.
FNW	G	" NOM	.
FNW	G	- / " OD	.
FNW	G	- / " OD	.

a – Strut Mounted Coupling for 1-1/2" Wall Insulation			
Catalog Number		b – Clamp ID Tube OD	C in.
FNW	J	/ " NOM	.
FNW	J	" NOM	.
FNW	J	- / " NOM	.
FNW	J	- / " NOM	.
FNW	J	- / " NOM	.
FNW	J	- / " OD	.
FNW	J	" NOM	.
FNW	J	- / " OD	.

a – Strut Mounted Coupling for 2" Wall Insulation			
Catalog Number		b – Clamp ID Tube OD	C in.
FNW	K	/ " OD	.
FNW	K	- / " OD	.
FNW	K	- / " OD	.
FNW	K	- / " OD	.