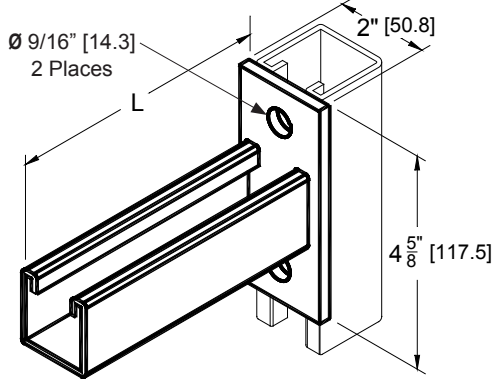


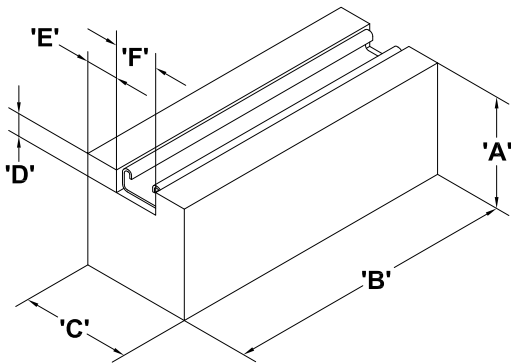
**FIGURE 7811 - Bracket Channel 1-5/8" Channel 2-HL**



Catalog Number	L		Uniform Load*	
	in.	mm	Lbs.	kN
FNW7811Z1200	12	304.8	570	3.34
FNW7811Z1800	18	457.2	500	2.22
FNW7811Z2400	24	609.6	350	1.56

\* When mounted on 12 gauge channel

**FIGURE 7701 - 50# Pipe Support**



Maximum Load: 50 lbs.  
Height: 4 or 6 inches

**Components**

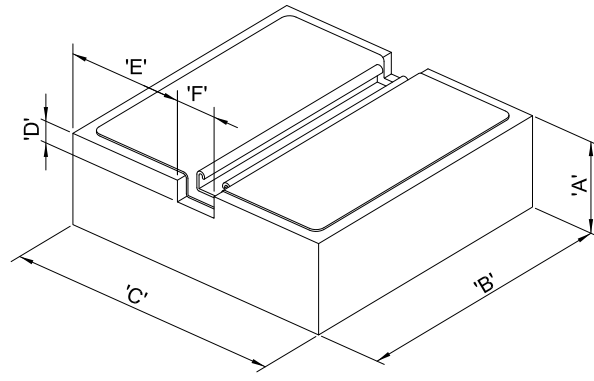
**Ethafoam® 400 plank** - The closed-cell medium density black polyethylene foam. Ethafoam HS 45 has successfully passed MVSS 302 flammability testing and meets or exceeds the requirements for U.S. Federal Standard PPP-C-1752C, Type III. Ethafoam® is a registered trademark of Sealed Air Corporation (US).

**14 Gauge Strut Channel** - Cold roll-formed carbon steel conforms to ASTM 570 GR 33 and ASTM A653.

**Bondmaster Instaweld 34-3378** - Adhesive conforms to MS-CC926.

Catalog Number	A	B	C	D	E	F
FNW7701PP	4.00	10.50	4.00	0.8125	1.1875	1.625
FNW7701UP	6.00	10.50	4.00	0.8125	1.1875	1.625

**FIGURE 7715 & 7730 - 150# & 300# Pipe Support**



Maximum Load: 150 lbs. (Fig. 7715)  
300 lbs. (Figure 7730)  
Height: 4 inches

**Components**

**Ethafoam® 400 plank** - The closed-cell medium density black polyethylene foam. Ethafoam HS 45 has successfully passed MVSS 302 flammability testing and meets or exceeds the requirements for U.S. Federal Standard PPP-C-1752C, Type III. Ethafoam® is a registered trademark of Sealed Air Corporation (US).

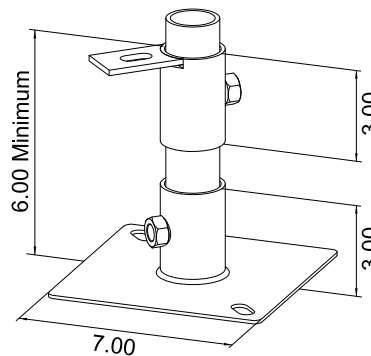
**14 Gauge Strut Channel** - Cold roll-formed carbon steel conforms to ASTM 570 GR 33 and ASTM A653.

**14 Gauge Galva Neal Sheet Metal** - Hot-dipped zinc coated treated to a harder surface than galvanizing alone.

**Bondmaster Instaweld 34-3378** - Adhesive conforms to MS-CC926.

Catalog Number	A	B	C	D	E	F
FNW7715	4.00	12.00	12.00	1.01	5.16	1.63
FNW7730	4.00	21.50	12.00	1.01	5.16	1.63

**FIGURE ELKITC - Elevation Kit for Pipe Supports**



**1-1/4" Schedule 40 Steel Pipe by Others**

**ELKITC** Provides elevation to pipe support systems. Kit contains components for two posts using 1-1/4" schedule 40 steel pipe supplied by others. Minimum elevation is 6", or 10" when mounted on figure 7715 or 7730 pipe supports (sold separately) using included channel nuts. Kit components include:

- 2 Base Units
- 2 Vertical Mounts
- 10 1/2-13 x 3/4" Hex Bolts
- 6 1/2" Washers
- 4 1/2" Strut Nuts
- 2 1/2" Hex Nuts

Catalog Number
FNWELKITC