

FIGURE 7006P HANGERS



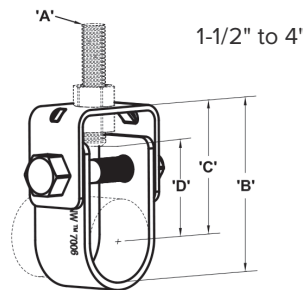
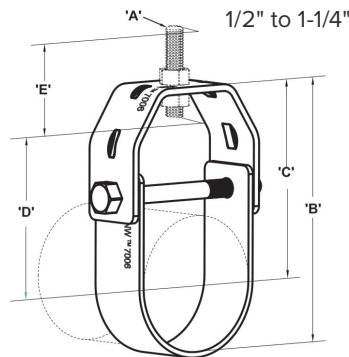
LIGHT-DUTY ADJUSTABLE CLEVIS HANGER

FEATURES

- Finish: Plain
- Color: Black
- MSS SP-58, Type 1
- Federal Specification WW-H-171, Type 1
- Hanger body: Carbon steel type C ASTM A1008

PARTS BREAKDOWN

- A—Rod size (hanger rod and nuts not included)
- B—Bottom of pipe to top of hanger
- C—Center of pipe to top of hanger
- D—Rod take out (center of pipe to bottom of hanger rod)
- E—Minimum thread length of hanger rod
- F—Adjustment, top of cross bolt to bottom of hanger rod nut inside hanger



DIMENSIONS

Catalog Number	Pipe Size		A (Rod Size)	B		C		D	
	in.	mm		in.	mm	in.	mm	in.	mm
FNW7006P0050	1/2	21.3	3/8"	2.00	50.7	1.56	39.5	1.05	26.7
FNW7006P0075	3/4	26.7	3/8"	2.43	61.7	1.87	47.5	1.37	34.7
FNW7006P0100	1	33.4	3/8"	2.70	68.7	2.03	51.5	1.52	38.7
FNW7006P0125	1-1/4	42.2	3/8"	3.25	82.5	2.37	60.2	1.86	47.2
FNW7006P0150	1-1/2	48.3	3/8"	3.87	98.4	2.89	73.4	2.37	60.3
FNW7006P0200	2	60.3	3/8"	4.43	112.4	3.19	81.0	3.85	97.8
FNW7006P0250	2-1/2	73.0	1/2"	5.17	131.4	3.66	92.9	3.14	79.8
FNW7006P0300	3	88.9	1/2"	5.84	148.4	3.96	100.7	3.45	87.6
FNW7006P0400	4	114.3	1/2"	7.69	195.4	5.28	134.0	4.72	119.9

DIMENSIONS

Catalog Number	Pipe Size		E		F		Bolt Size	Design Load		Weight
	in.	mm	in.	mm	in.	mm		lbs	kN	
FNW7006P0050	1/2	21.3	2.50	63.60	0.30	7.6	1/4"	150	0.67	0.09
FNW7006P0075	3/4	26.7	2.50	63.60	0.55	13.6	1/4"	150	0.67	0.10
FNW7006P0100	1	33.4	2.50	63.60	0.55	13.6	1/4"	250	1.11	0.11
FNW7006P0125	1-1/4	42.2	2.50	63.60	0.78	19.9	1/4"	250	1.11	0.20
FNW7006P0150	1-1/2	48.3	2.50	63.60	1.12	28.5	1/4"	250	1.11	0.25
FNW7006P0200	2	60.3	2.50	63.60	1.21	30.7	1/4"	250	1.11	0.31
FNW7006P0250	2-1/2	73.0	2.50	63.60	1.19	27.6	3/8"	350	1.56	0.51
FNW7006P0300	3	88.9	2.50	63.60	1.11	28.2	3/8"	350	1.56	0.59
FNW7006P0400	4	114.3	2.50	63.60	1.88	47.8	3/8"	400	1.78	1.00