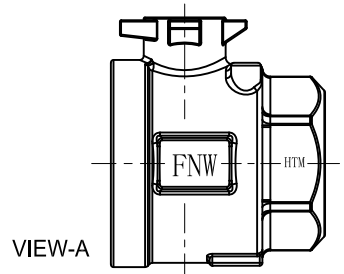
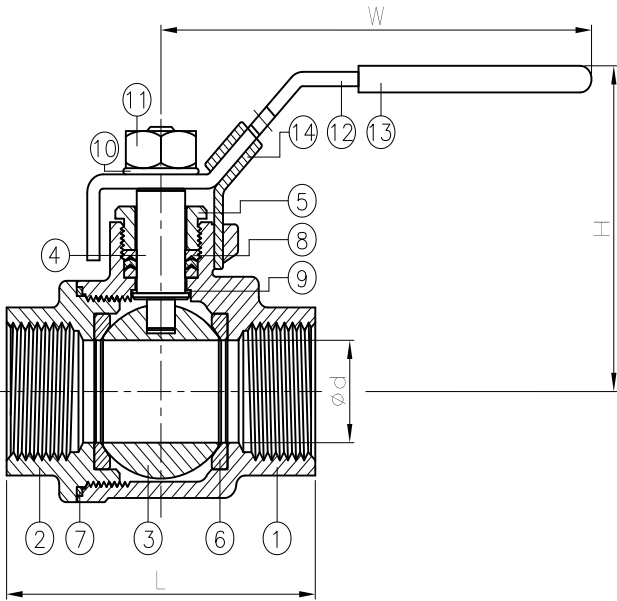
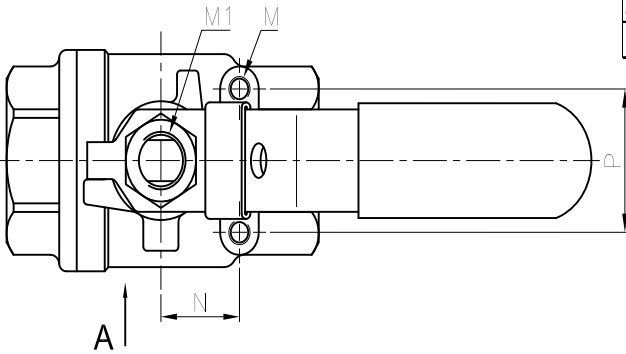


11.000



NPS	ϕd	I	H	W	N	P	M	M1	Torque (In-Lb)	Weight (LB)	CV (Gallon/Min)
1/4"	0.46	2	2.3	3.92	0.5	1.12	#10-24UNC	3/8"-24UNF	62	0.5	21.9
3/8"	0.49	2	2.3	3.92	0.5	1.12	#10-24UNC	3/8"-24UNF	62	0.5	25.4
1/2"	0.59	2.28	2.38	3.92	0.5	1.12	#10-24UNC	3/8"-24UNF	62	0.7	36.6
3/4"	0.79	2.58	2.48	4.82	0.5	1.12	#10-24UNC	7/16"-20UNF	79.7	1	67.7
1"	0.98	3.1	3.13	5.85	0.88	1.38	#10-24UNC	7/16"-20UNF	132.8	1.7	110.3
1-1/4"	1.26	3.54	3.39	5.85	0.88	1.38	1/4"-20UNC	7/16"-20UNF	159.3	2.5	184.7
1-1/2"	1.5	4.13	4	7.48	0.91	1.5	1/4"-20UNC	1/2"-20UNF	221.3	3.9	266.6
2"	1.97	4.88	4.3	7.48	0.91	1.5	1/4"-20UNC	1/2"-20UNF	309.8	5.9	485.3
2-1/2"	2.48	5.75	5.51	9.72	1.14	1.97	1/4"-20UNC	3/4"-10UNC	486.8	12.4	791.6
3"	2.99	6.43	5.85	9.72	1.38	2.17	1/4"-20UNC	3/4"-10UNC	619.6	16.5	1152
											unit/in



Item	Parts	Material	Quantity
1	Body	ASTM A351-CF8M	1
2	Cap	ASTM A351-CF8M	1
3	Ball	ASTM A351-CF8M	1
4	Stem	ASTM A276-316	1
5	Gland	AISI 304	1
6	Ball Seat	RTFE	2
7	Body Seal		1
8	Packing	PTFE	1 SET
9	Thrust Washer		1
10	Spring Washer		1
11	Nut	AISI 304	1
12	Handle	Stainless Steel	1
13	Handle Sleeve	PVC	1
14	Lock Device	Stainless Steel	1



DATE: 2/19/2015 | BY: CGM | APP'D: CGM | UNITS: IN | SCALE: NONE | REV DATE: | FILE: | MODEL: FNW220A | DWG NO: H260A1 | REV: 0

THIS DRAWING CONTAINS CONFIDENTIAL AND PROPRIETARY INFORMATION OF FNW VALVE AND IS SUBMITTED TO YOU FOR THE LIMITED PURPOSE OF PROVIDING YOU INFORMATION ON PRODUCTS AND SYSTEMS PURCHASED FROM FNW VALVE. BY RECEIVING THIS DOCUMENT, YOU AGREE NOT TO DISCLOSE SUCH INFORMATION TO OTHERS EXCEPT BY WRITTEN PERMISSION. FNW <11 x 8.5>