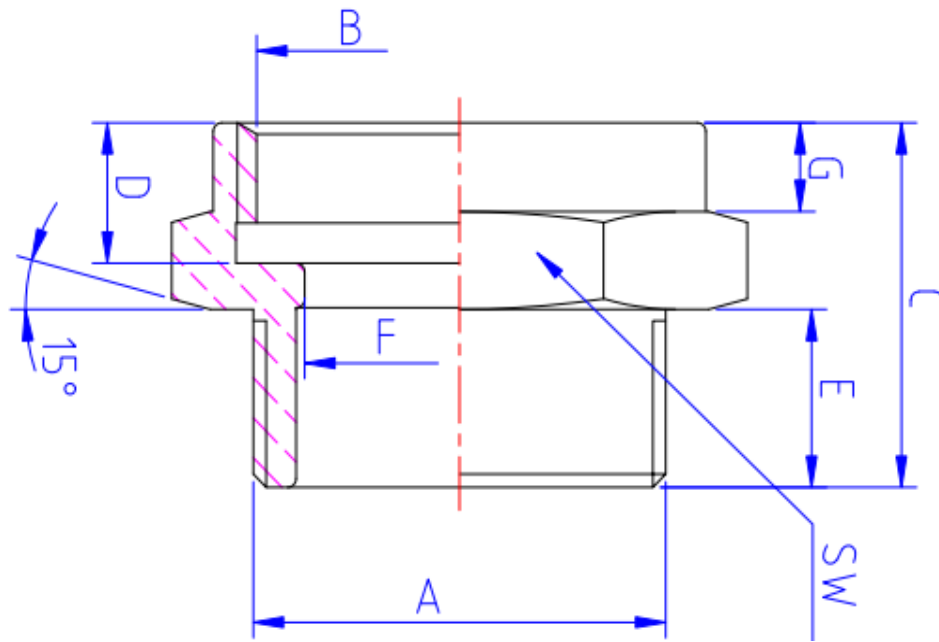


Brass Female to Male Hex Nipple



Materials: **Brass C38500 Modi.**

Dimensions (inch):

	FNW9305JJ	FNW9305KJ	FNW9305KL	FNW9305LL	FNW9305ML	FNW9306JJ	FNW9306LL
A	1-1/2"MNST	1-1/2"MNST	2-1/2"MNST	2-1/2"MNST	2-1/2"MNST	1-1/2"MNPT	2-1/2"MNPT
B	1-1/2"FNPT	2"FNPT	2"FNPT	2-1/2"FNPT	3"FNPT	1-1/2"FNST	2-1/2"FNST
C	1.67	1.73	1.43	2.38	2.59	1.56	2.28
D	0.79	0.84	0.84	1.22	1.34	0.62	0.80
E	0.67	0.67	1.00	1.00	1.00	0.79	1.22
F	ø1.51	ø1.51	ø2.48	ø2.48	ø2.48	ø1.42	ø2.40
G	0.63	0.63	--	0.94	1.06	0.39	0.63
SW	2.20	2.72	3.19	3.19	3.94	2.28	3.39
Washer						V	V

Tolerance: Cast Dim.: +/- 0.03"

Machining Dim.: +/-0.02"



FUKU ACCURATE INDUSTRIES CO., LTD.