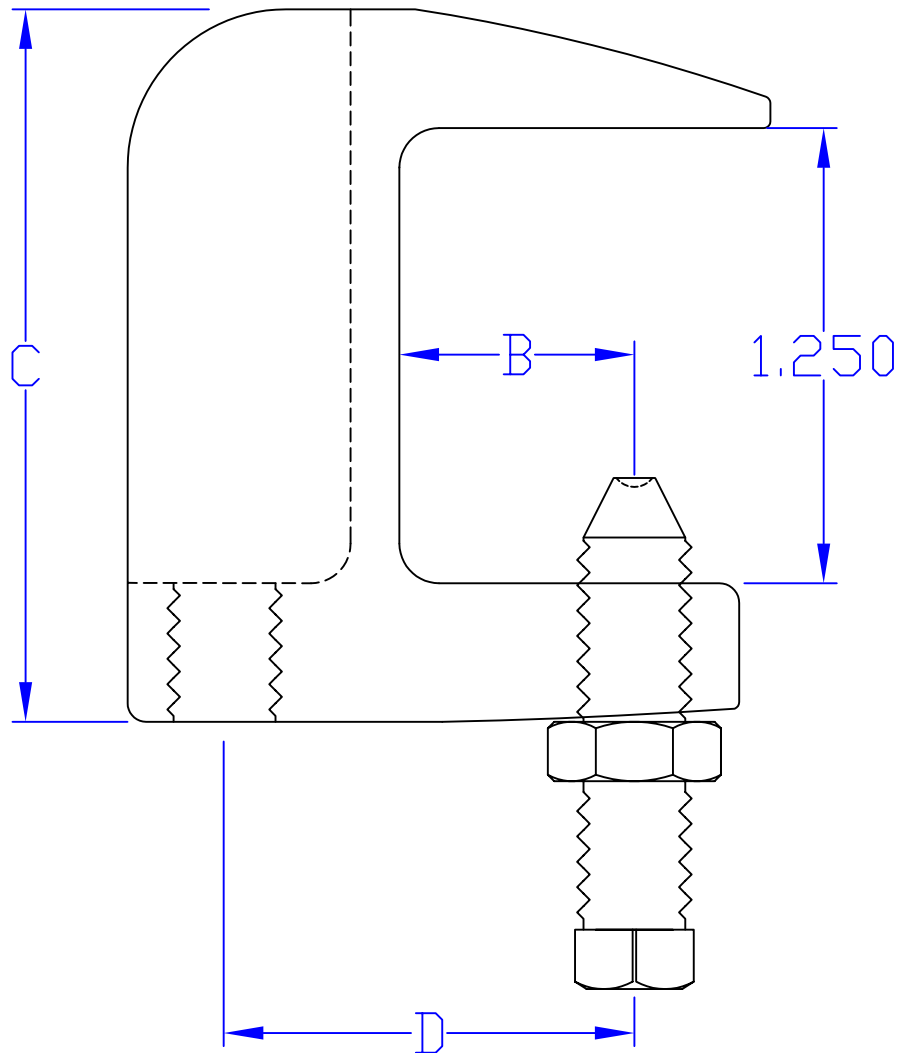


ROD SIZE (UNC)	3/8"	1/2"	5/8"	3/4"
MAX. LOAD (Lbs.)	400	500	850	900
MATERIAL	MALLEABLE IRON			
STANDARD	ASTM A47 Grade 32510			
FINISH	PLAIN			



ROD SIZE	A	B	C	D	WT(oz.)
3/8"	1.625	0.50	1.875	1.063	7.65
1/2"	1.625	0.50	1.875	1.063	7.65
5/8"	2.25	0.75	2.313	1.375	11.25
3/4"	2.375	0.75	2.375	1.375	14.11

FNW™		4120 NE Columbia Blvd Portland, OR 97211 Phone (503) 287-8383 Fax (503) 281-9677
TITLE/DESCRIPTION: MI WIDE MOUTH BEAM CLAMP - 400 TO 900 LBS. LOAD CAPACITY (3/8" TO 3/4" ROD)		
DATE: 2-21-2007	BY: PEA	UNITS: INCHES
SCALE: NONE	APP'D: KMC	PAGE(S): 1
MODEL: 7204		
DWG NO: 7204		
NOTES:		
FILE: FNW7204.dwg		LOC: PORTLAND
PAGE SIZE: 8.5 x 11L	REV: 0	R'DATE:
THIS DRAWING CONTAINS CONFIDENTIAL AND PROPRIETARY INFORMATION OF FNW VALVE AND IS SUBMITTED TO YOU FOR THE LIMITED PURPOSE OF PROVIDING YOU INFORMATION ON PRODUCTS AND SYSTEMS PURCHASED FROM FNW VALVE. BY RECEIVING THIS DOCUMENT, YOU AGREE NOT TO DISCLOSE SUCH INFORMATION TO OTHERS EXCEPT BY WRITTEN PERMISSION OF FNW VALVE.		