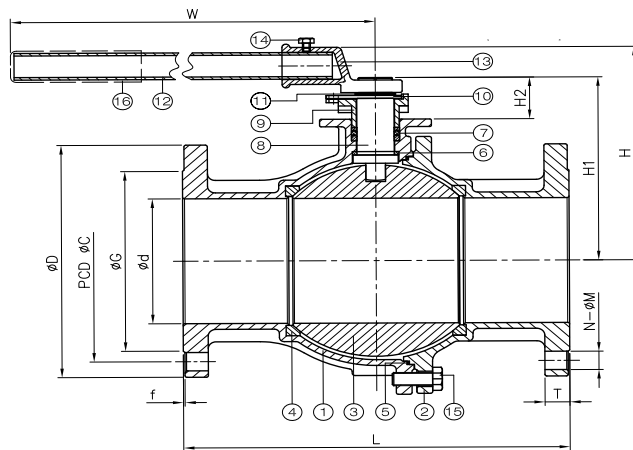
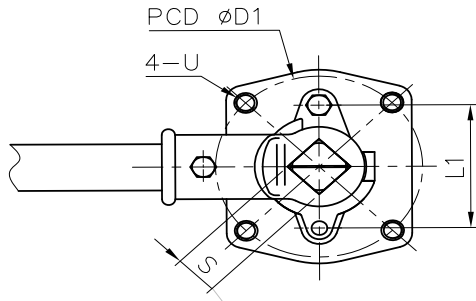


6" 2 PC ECONOMY FULL PORT 150# FLANGED STAINLESS STEEL



ITEM	PARTS	MATERIAL
1	BODY	ASTM A351-CF8M
2	CAP	
3	BALL	ASTM A351-CF8M
4	BALL SEAT	TFM 1600
5	BODY SEAL	PTFE
6	THRUST WASHER	
7	PACKING	
8	STEM	ASTM A276-316
9	GLAND	AISI 304
10	STOPPER	
11	CIRCLIPS FOR SHAFT	
12	STEEL TUBE	
13	WRENCH BLOCK	
14	BOLT	
15	BOLT	PVC
16	HANDLE SLEEVE	

NPS	d	G	C	D	L	H	H1	H2	W	T	f	N	M	S	L1	D1	U	Weight (lb)
6"	5.91	8.5	9.51	10.98	15.51	10.1	8.66	1.97	29.25	1	0.06	8	0.87	1.06	3.35	4.92	M12*1.75	142.2



Title: Figure 660A 2PC Economy Full Port 150# Flanged Stainless Steel					
Date: 10-6-15	By: CA	App'd: Mike	Units: In.	Scale: None	Rev Date:
File: 660A_6.dwg			Model: 660A	DWG NO:	Rev: 0

THIS DRAWING CONTAINS CONFIDENTIAL AND PROPRIETARY INFORMATION OF FNW VALVE AND IS SUBMITTED TO YOU FOR THE LIMITED PURPOSE OF PROVIDING YOU INFORMATION ON PRODUCTS AND SYSTEMS PURCHASED FROM FNW VALVE. BY RECEIVING THIS DOCUMENT, YOU AGREE NOT TO DISCLOSE SUCH INFORMATION TO OTHERS EXCEPT BY WRITTEN PERMISSION.