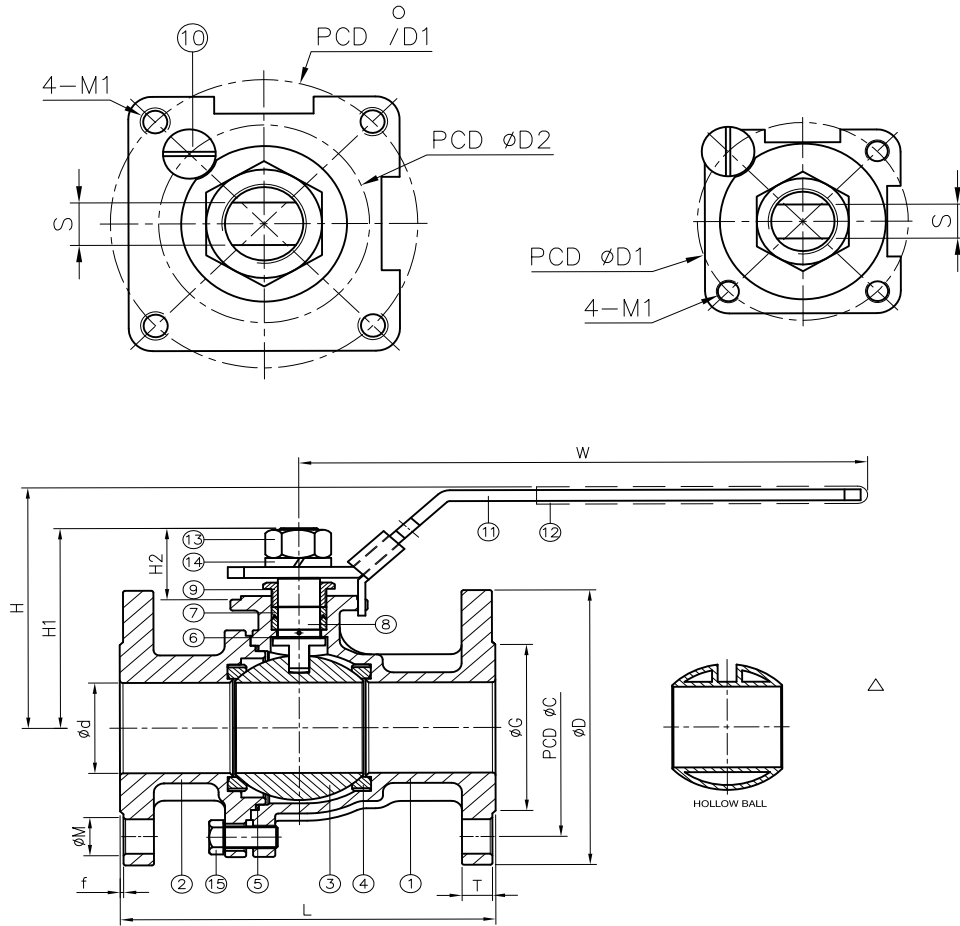


2-4" 2 PC FULL PORT 150# FLANGED STAINLESS STEEL



ITEM	PARTS	MATERIAL	
		1	BODY
2	CAP		
3	SOLID BALL	ASTM A351-CF8M	
	HOLLOW BALL	ASTM A240-316	
4	BALL SEAT	TFM 1600	
5	BODY SEAL	PTFE	
6	THRUST WASHER		
7	PACKING		
8	STEM	ASTM A276-316	
9	GLAND NUT	AISI 304	
10	STOP PIN		
11	HANDLE	STAINLESS STEEL	
12	HANDLE SLEEVE	PVC	
13	STEM NUT	AISI 304	
14	SPRING WASHER		
15	BOLT		

NPS	d	G	C	D	L	H	H1	W	T	f	N	M	S	D1	M1	Torque (in-lb)	Weight (lb)
2"	1.97	3.62	4.75	5.98	7.01	5.35	435	10.47	0.57	0.06	4	0.75	0.47	2.76	5/16"-18UNC	398.3	18.5
2-1/2"	2.56	4.13	5.47	7.01	7.48	5.81	4.81	11.73	0.63	0.06	4	0.75	0.47	2.76	5/16"-18UNC	531	29.3
3"	3.15	5	5.98	7.48	7.99	6.59	5.59	15.35	0.69	0.06	8	0.75	0.57	4.02	3/8"-16UNC	796.6	36.1
4"	3.94	6.18	7.5	8.98	9	7.19	6.18	15.35	0.88	0.06	8	0.75	0.57	4.02	3/8"-16UNC	1017.9	61



Title: Figure 660A 2PC Full Port 150# Flanged Stainless Steel					
Date: 10-6-15	By: CA	App'd: Mike	Units: In.	Scale: None	Rev Date:
File: 660A_2-4.dwg	Model: 660A	DWG NO:	Rev: 0		

THIS DRAWING CONTAINS CONFIDENTIAL AND PROPRIETARY INFORMATION OF FNW VALVE AND IS SUBMITTED TO YOU FOR THE LIMITED PURPOSE OF PROVIDING YOU INFORMATION ON PRODUCTS AND SYSTEMS PURCHASED FROM FNW VALVE. BY RECEIVING THIS DOCUMENT, YOU AGREE NOT TO DISCLOSE SUCH INFORMATION TO OTHERS EXCEPT BY WRITTEN PERMISSION.