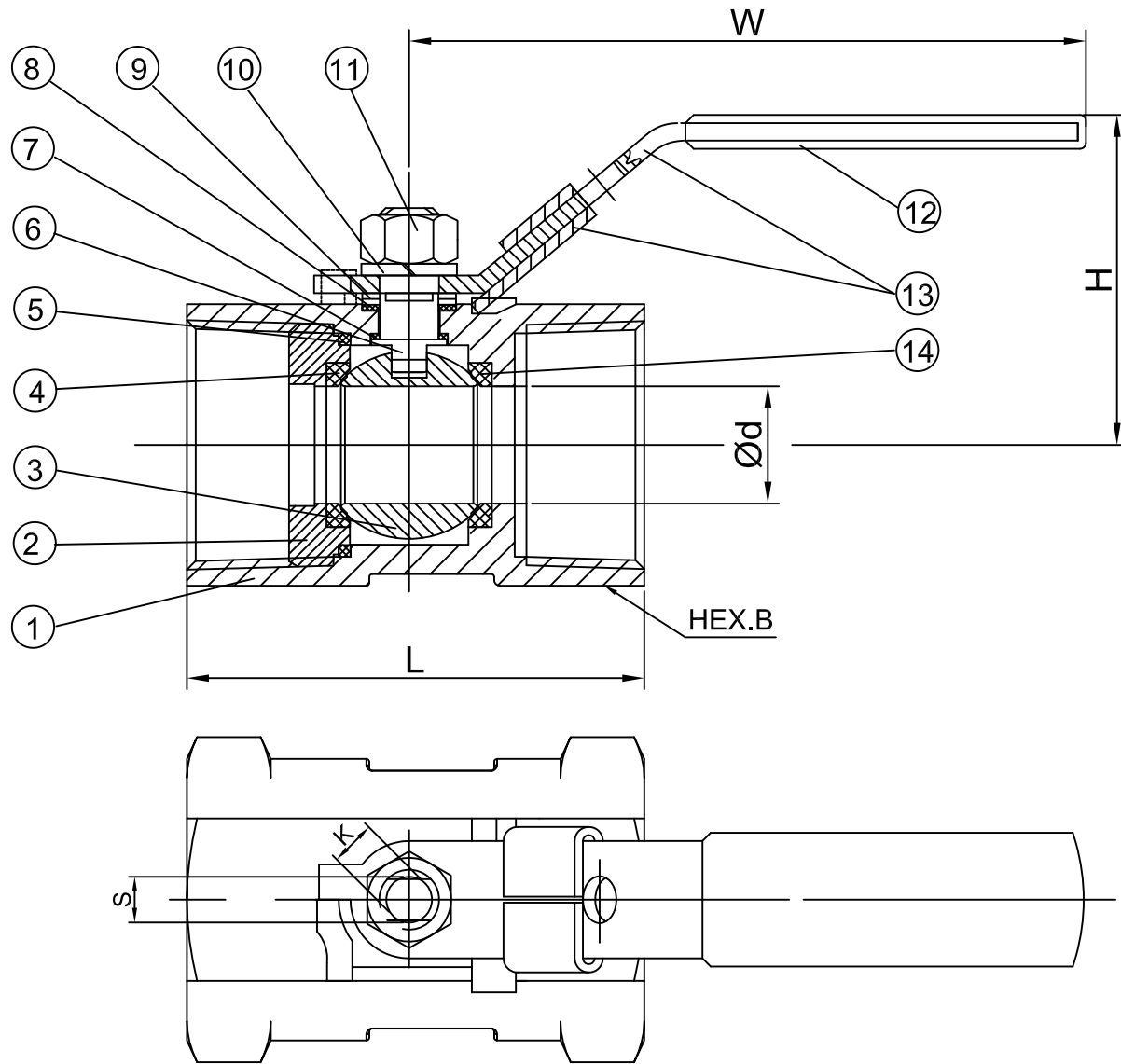


APPLICABLE STANDARDS:
 Design: ASME B16.34, MSS SP-110
 Pipe Thread: ASME B1.20.1
 Seat/Shell: MSS SP-110



14	Seat - 2	RTFE	1
13	Locking Handle	304SS	1
12	Handle Sleeve	VINYL PLASTIC	1
11	Stem Nut	A194-8	1
10	Stem Washer	304SS	1
9	Gland	304SS	2
8	Stem Packing	PTFE	1
7	Thrust washer	PTFE	1
6	Stem	316SS	1
5	Body Gasket(11/4~2")	PTFE	1
4	Seat - 1	RTFE	1
3	Ball	316SS	1
2	Carrier Nut	ASTM A351 Gr.CF8M	1
1	Body	ASTM A351 Gr.CF8M	1
Ref.No.	Description	Material	Qty.

■ DIMENSION TABLE

Unit: inch

Pressure	New FNW Code	Size	Ød	L	H	W	K	S	HEX.B
1000CWP	FNW100AB	1/4"	0.20	1.63	1.34	2.76	M5×0.8	0.12	0.67
	FNW100AC	3/8"	0.28	1.81	1.38	3.15	M6×1.0	0.16	0.83
	FNW100AD	1/2"	0.36	2.28	1.73	3.62	M8×1.25	0.20	0.98
	FNW100AF	3/4"	0.49	2.40	1.81	3.62	M8×1.25	0.20	1.26
	FNW100AG	1"	0.59	2.89	2.01	4.53	M10×1.5	0.24	1.50
	FNW100AH	1-1/4"	0.79	3.07	2.28	4.53	M10×1.5	0.24	1.89
	FNW100AJ	1-1/2"	0.98	3.35	2.60	5.00	M12×1.75	0.31	2.09
	FNW100AK	2"	1.26	4.02	2.83	5.00	M12×1.75	0.31	2.60

						1/4"-2" 1000CWP 1PC Thread Ball Valve Assembly Drawing FNW100A		Material NO.			
								Draw. NO.		100A	
Mark	Amount	Subarea	Revision NO.	Signature	Date	Projection		Material	CF8M	Edition	5
Drawing		hm.huang	2011.1.27	Recheck		Proportion		Weight		Page of	
Design						FNW™					
Check											
Standardization				Approve							