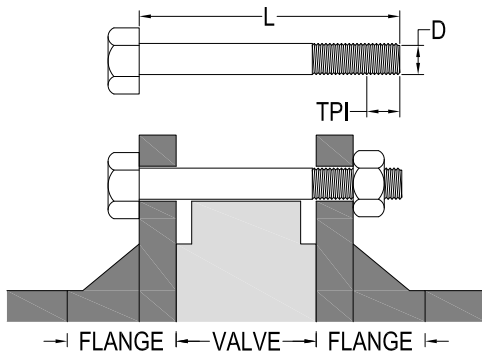


FLANGE BOLTING GUIDE FOR FIGURE 7xx-SERIES BUTTERFLY VALVES

WARNING: Improper bolt and stud lengths could result in leakage at the flange resulting in damage, serious injury, or death.

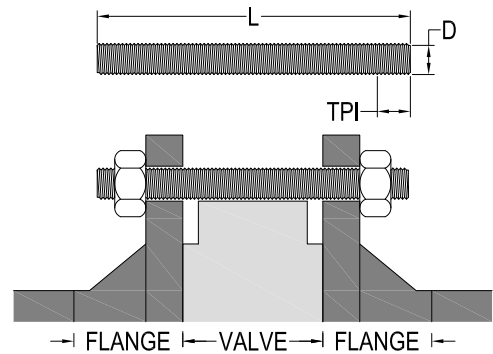
CAUTION: Dimensions provided for flange bolting are intended only as a guide. Bolt lengths may vary due to manufacturing tolerances in valves, gaskets, flange bolts and flanges. FNW figure 7xx-series resilient seated valves are designed to fit between ANSI B16.5 class 150 flanges without flange gaskets. **Some models utilize a raised resilient bead for flange sealing. Since inside flange diameters vary depending on type of flange, always verify that the connecting pipe flange face fully engages the valve seat face before installation.**

Wafer Valve & Cap Screws



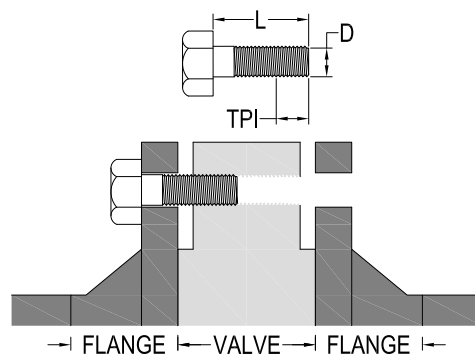
Size	D	TPI	L	Qty
2	5/8"	11	4-1/4"	4
2-1/2	5/8"	11	4-3/4"	4
3	5/8"	11	5"	4
4	5/8"	11	5"	8
5	3/4"	10	5-1/4"	8
6	3/4"	10	5-1/2"	8
8	3/4"	10	6"	8
10	7/8"	9	6-1/2"	12
12	7/8"	9	7"	12
14	1"	8	8"	12
16	1"	8	8-3/4"	16
18	1-1/8"	7	9-1/2"	16
20	1-1/8"	7	10-1/2"	20
24	1-1/4"	7	12"	20

Wafer Valve & Stud Bolts



Size	D	TPI	L	Qty
2	5/8"	11	5-1/8"	4
2-1/2	5/8"	11	5-1/8"	4
3	5/8"	11	5-1/2"	4
4	5/8"	11	5-1/2"	8
5	3/4"	10	6-3/8"	8
6	3/4"	10	6-3/8"	8
8	3/4"	10	6-1/4"	8
10	7/8"	9	7-1/2"	12
12	7/8"	9	8-3/8"	12
14	1"	8	8-3/4"	12
16	1"	8	10"	16
18	1-1/8"	7	11-1/8"	16
20	1-1/8"	7	12"	20
24	1-1/4"	7	13-13/16"	20

Lugged Valve & Cap Screws



Size	D	TPI	L	Qty
2	5/8"	11	1-1/2"	8
2-1/2	5/8"	11	1-3/4"	8
3	5/8"	11	1-3/4"	8
4	5/8"	11	1-3/4"	16
5	3/4"	10	2"	16
6	3/4"	10	2"	16
8	3/4"	10	2-1/4"	16
10	7/8"	9	2-1/2"	24
12	7/8"	9	2-3/4"	24
14	1"	8	2-3/4"	24
16	1"	8	3-1/4"	32
18	1-1/8"	7	3-1/2"	32
20	1-1/8"	7	4"	40
24	1-1/4"	7	4-3/4"	40