

LOW LEAD COMPLIANT PUSH-FIT VALVE FOR WATER OR AIR

Features:

- 200 PSI Max. Working Pressure (non-shock Water or Air)
- Push-Fit Ends
- For Copper, CPVC, and PEX* Pipe
- Full Port
- Solid Ball
- NSF 61 Annex G Approved
- Temperature Range: 33°F to 180°F (0.6°C to 82.2°C)
- Blow-out Proof Stem
- Adjustable Packing
- Includes Removal Tool



* Not for use with PEX-AL-PEX or PEX tubing with an oxygen barrier.



Conforms to California law AB 1953 requirements for lead free content.

Note: Lead free refers to the wetted surface of pipe, fittings and fixtures in potable water systems that have a weighted average lead content ≤ 0.25%.
Source: California Health and Safety Code (116875).

The FNW X485 Push-Fit ball valve saves valuable installation time. Its ability to connect to multiple pipe types reduces inventory levels by decreasing the number of different valves and fittings that would normally need to be stocked. Whether it's copper, CPVC, or PEX*, the X485 provides for an easy install. The push-fit valve connection is also just as easily removed using the tool provided with every valve.



Removal Tool Included

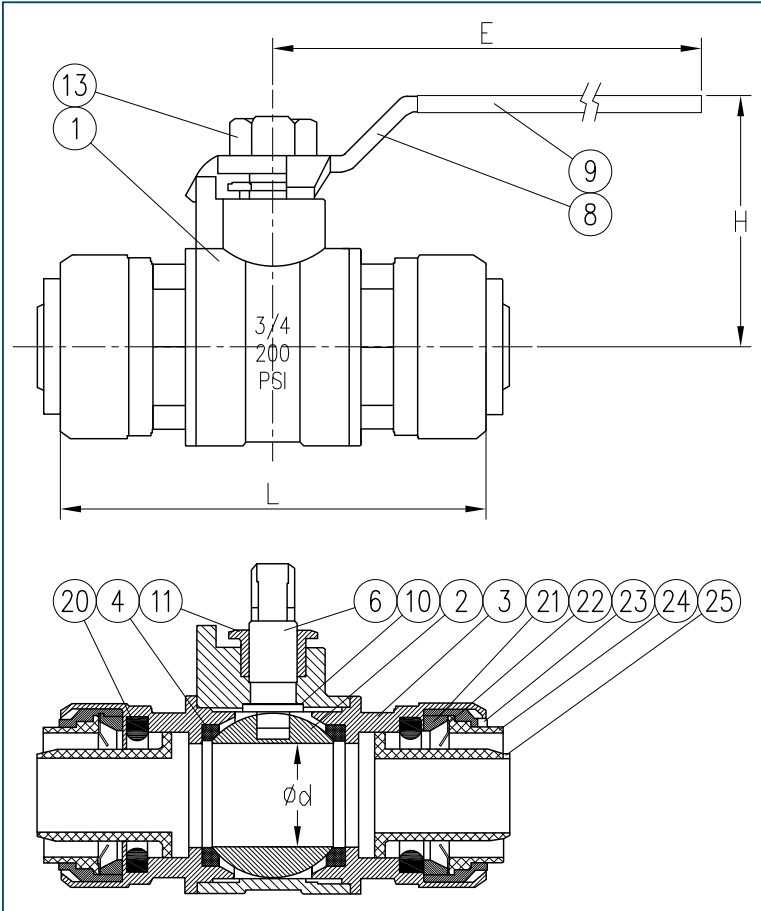
Weights

Size	Wt. (Lbs)
1/2	0.55
3/4	0.95
1	1.47

Figure Number Matrix

FNW X485 Size	
SIZE CODES	
1/2	= D
3/4	= F
1	= G

LOW LEAD COMPLIANT PUSH-FIT VALVE FOR WATER OR AIR



Standard Materials

Ref. No.	Description	Material	Qty
1	Body	Low Lead Brass*	1
2	Ball	ASTM B124 C37700 CHROME PLATED	1
3	End Cap	Low Lead Brass*	2
4	Seat	PTFE	2
6	Stem	ASTM B16 C36000	1
7	Stem Packing	PTFE	1 Set
8	Handle	Carbon Steel	1
9	Handle Cover	Vinyl	1
10	Thrust Washer	PTFE	1
11	Gland Nut	ASTM B16 C36000	1
13	Handle Nut	SS41	1
20	O-Ring	EPDM	2
21	Washer	POM	2
22	Snap Ring	SS301	2
23	Shield	POM	2
24	Guide	POM	2
25	Sustain Sheath	POM	2

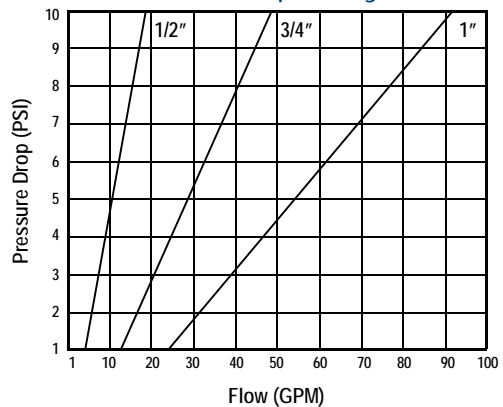
* Chemical Content by Percentage is:

Cu	Bi	Pb	Fe	Zn
> 58	< 3.5	0.1 Max.	0.2 Max.	Remainder

Dimensions (inches)

Size	Ød	E	H	L
1/2	0.50	3.23	1.46	2.61
3/4	0.75	3.94	1.79	3.06
1	0.98	4.72	2.27	3.66

Flow Capacity



DOC: FNWX48509 Ver. 11/2009

© 2009 - FNW. All rights reserved.

The FNW logo is a registered trademark of Ferguson Enterprises, Inc.

The contents of this publication are presented for information purposes only, and while effort has been made to ensure their accuracy, they are not to be construed as warranties or guarantees, expressed or implied, regarding the products or services described herein or their use or applicability. All sales are governed by our terms and conditions, which are available on request. We reserve the right to modify or improve the designs or specifications of our products at any time without notice. Always verify that you have the most recent product specifications or other documentation prior to the installation of these products.