

WATER HAMMER ARRESTORS

Applications:

The FNW water hammer arrestors are engineered devices that provide maintenance-free continuous protection systems against water hammer. Water hammer is a hydraulic shock wave generated within a water distribution system due to a sudden stop in water flow. If allowed to exist for any length of time, water hammer can cause pipes to rattle, is capable of bursting pipe, and damaging other components within the system. When installed properly, there is an unobstructed shock path to the arrestor that is absorbed by a piston driven and isolated cushion of air.

Features:

- Max. Pressure: 600 PSI
- Working Pressure: 60 to 400 PSI
- Temperature: 33°F to 188°F (0.5°C to 87°C)
- For Non-Drinking Water Systems
- Brass Connections, Copper Tube
- Designed for Vertical or Horizontal Installation (not to be installed in the inverted position)
- Can be installed in systems without need for access panels*
- ASSE 1010 Listed
- IAPMO Listed (UPC)

* Always check local plumbing codes to determine if access panels are required

Standards:

- ASSE Standard 1010
- IAPMO Listed (cUPC)

Warranty:

- Guaranteed for the life of the system they are installed in.



Sizing / PDI Fixture Units*

FNW Size	PDI Size Code		PDI Fixture Units
	SC	SWA	
1/2"	A	A	1 - 11
3/4"	B	B	12 - 32
1"	C	C	33 - 60
1-1/4"	D	D	61 - 113
1-1/2"	E		114 - 154
2"	F		155 - 330

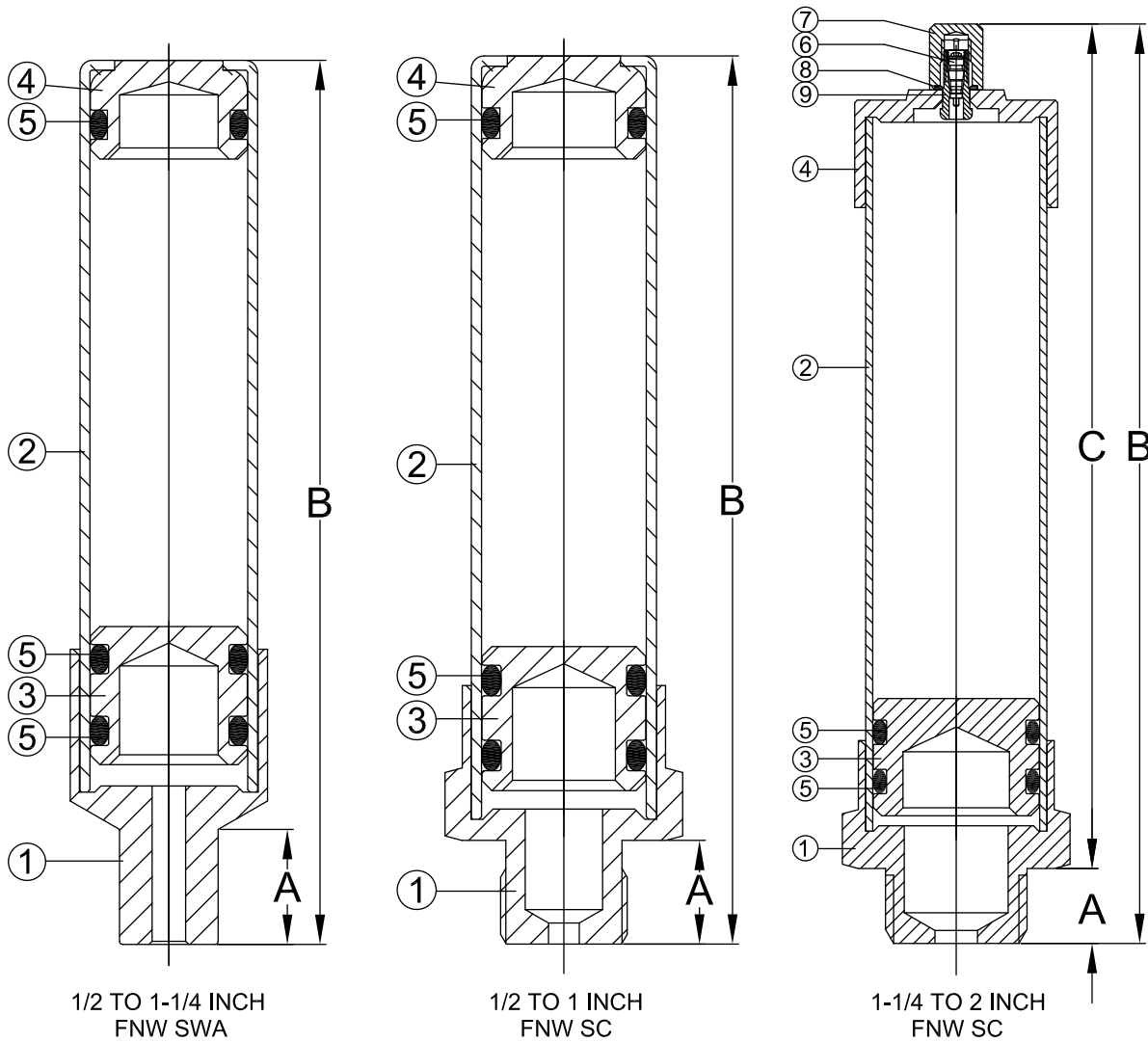
* As outlined in The Plumbing and Drainage Institute standard PDI-WH 201 revision 1992. See the FNW water hammer arrestor IOM for more details.

Figure Number Matrix

FNW End Size			
END TYPE		SIZE CODE	
SC = MALE NPT (1/2" to 2")	1/2 = 500	1-1/4 = 1250	
SWA = COPPER SWEAT (1/2" to 1-1/4")	3/4 = 750	1-1/2 = 1500	
	1 = 1000	2 = 2000	



WATER HAMMER ARRESTORS



Dimensions (inches)

Size	SWA (Sweat)		SC (MNPT)			TPI
	A	B	A	B	C	
1/2	0.73	5.60	0.63	5.39		14
3/4	0.81	5.60	0.65	7.54		14
1	0.98	7.78	0.81	8.15		11.5
1-1/4	1.10	8.32	0.88	10.79	9.91	11.5
1-1/2			0.94	11.47	10.53	11.5
2			0.89	14.84	13.95	11.5

Standard Materials

Ref. No.	Description	Material	Qty
1	Body	Brass JIS3602	1
2	Cylinder	Copper C12200	1
3	Piston	Brass JIS3602	1
4	Cylinder Cap	Brass JIS3602	1
5	O-ring	EPDM	2 to 3
6	Valve	Stainless Steel	1 (SC Only)
7	Valve Cap	Brass JIS3602	1 (SC Only)
8	Cap O-ring	EPDM	1 (SC Only)
9	Retainer	Brass JIS3602	1 (SC Only)

DOC: FNWSC-SWA07 Ver. 10/2013

© 2013 - FNW. All rights reserved.

The FNW logo is a trademark of Ferguson Enterprises, Inc., PL Sourcing, PO Box 2778, Newport News, VA 23609

The contents of this publication are presented for information purposes only, and while effort has been made to ensure their accuracy, they are not to be construed as warranties or guarantees, expressed or implied, regarding the products or services described herein or their use or applicability. All sales are governed by our terms and conditions, which are available on request. We reserve the right to modify or improve the designs or specifications of our products at any time without notice. Always verify that you have the most recent product specifications or other documentation prior to the installation of these products.