

PRESSURE/TEMPERATURE TEST PLUG

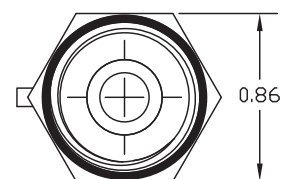
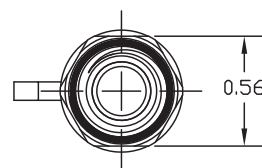
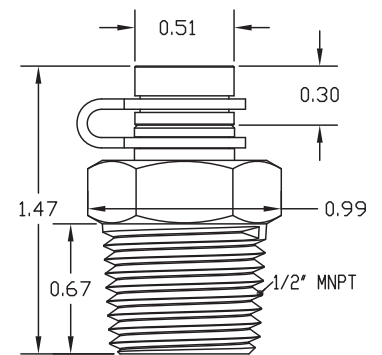
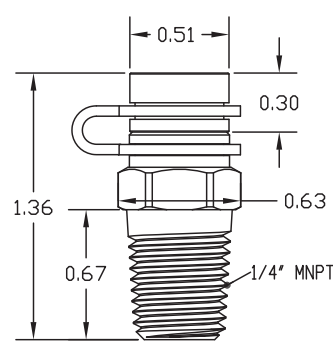
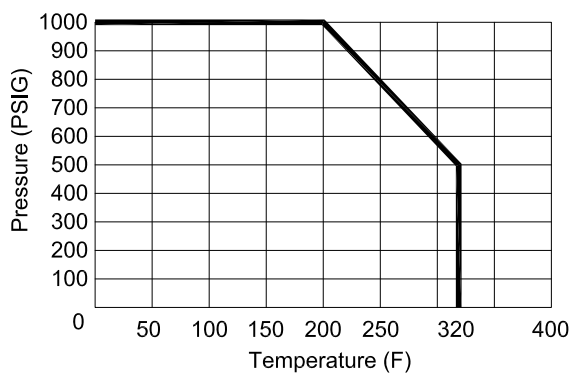
The figure PTT brass pressure/temperature test plugs facilitate quick pressure and temperature readings at recommended test points without disturbing the process. They are widely used in the HVAC industry.

Features:

- 1,000 PSI Maximum Operating Pressure
- 1/4" or 1/2" MNPT End Process Connection
- Brass Body
- EPDM Diaphragm/Core
- Plastic Cap Retainer
- 320°F (160°C) Process Temperature Limit

Part Numbers

Size	Part Number
1/4"	FNWPTTB
1/2"	FNWPTTD



DOC: FNWPTT09 Ver. 10/2013

© 2013 - FNW. All rights reserved.

The FNW logo is a trademark of Ferguson Enterprises, Inc., PL Sourcing, PO Box 2778, Newport News, VA 23609

www.fnw.com

The contents of this publication are presented for information purposes only, and while effort has been made to ensure their accuracy, they are not to be construed as warranties or guarantees, expressed or implied, regarding the products or services described herein or their use or applicability. All sales are governed by our terms and conditions, which are available on request. We reserve the right to modify or improve the designs or specifications of our products at any time without notice. Always verify that you have the most recent product specifications or other documentation prior to the installation of these products.