

## BRASS THERMOWELL

### Application

Thermowells provide insertion of various temperature instruments while protecting them from damage due to process media pressure, abrasion, velocity, or corrosion. In addition, thermowells allow for removal of temperature instruments for repair, replacement, or calibration without the need to shut down the process.

### Configuration

- Threaded Taper

### Connection

- Socket Length: 3-1/2"
- Process Connection: 3/4"-14 NPT
- Instrument Connection: 1-1/4"-18 UNEF

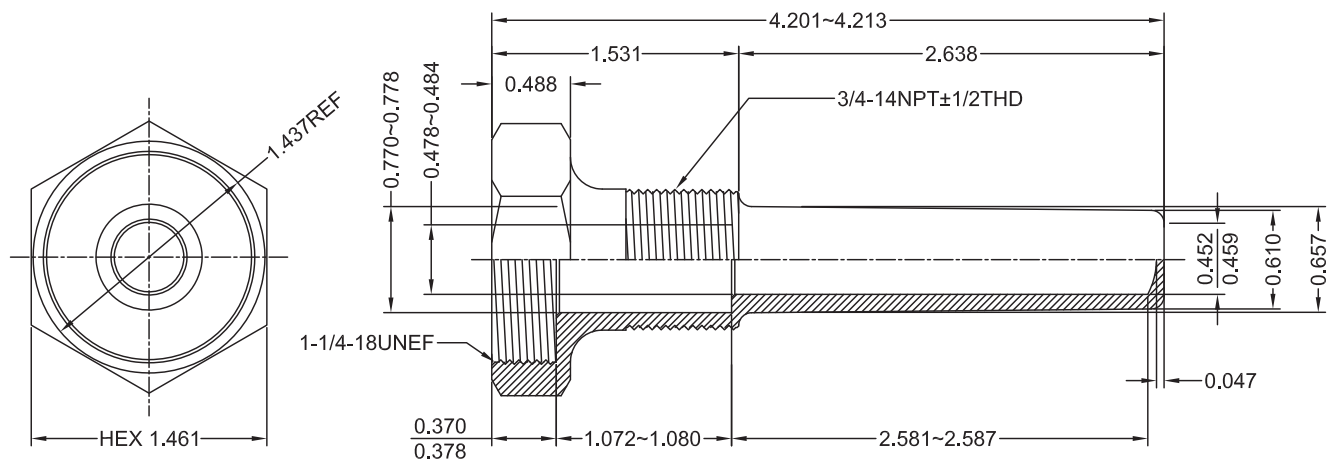
### Material

- JIS-3771 Brass



### Part Number

Size	Part Number
3-1/2"	FNWBTWELL



DOC: FNWBTWELL05 Ver. 3/2012

© 2012 - FNW. All rights reserved.

The FNW logo is a trademark of Ferguson Enterprises, Inc., PL Sourcing, PO Box 2778, Newport News, VA 23609

[www.fnw.com](http://www.fnw.com)

The contents of this publication are presented for information purposes only, and while effort has been made to ensure their accuracy, they are not to be construed as warranties or guarantees, expressed or implied, regarding the products or services described herein or their use or applicability. All sales are governed by our terms and conditions, which are available on request. We reserve the right to modify or improve the designs or specifications of our products at any time without notice. Always verify that you have the most recent product specifications or other documentation prior to the installation of these products.