

BRASS THERMOWELL

Designed for use with all 9" (228mm) industrial thermometers to create a "sealed system". Thermowells provide insertion of various temperature instruments while protecting them from damage due to process media pressure, abrasion, velocity, or corrosion. In addition, thermowells allow for removal of temperature instruments for repair, replacement, or calibration without the need to shut down or drain the process.

Features

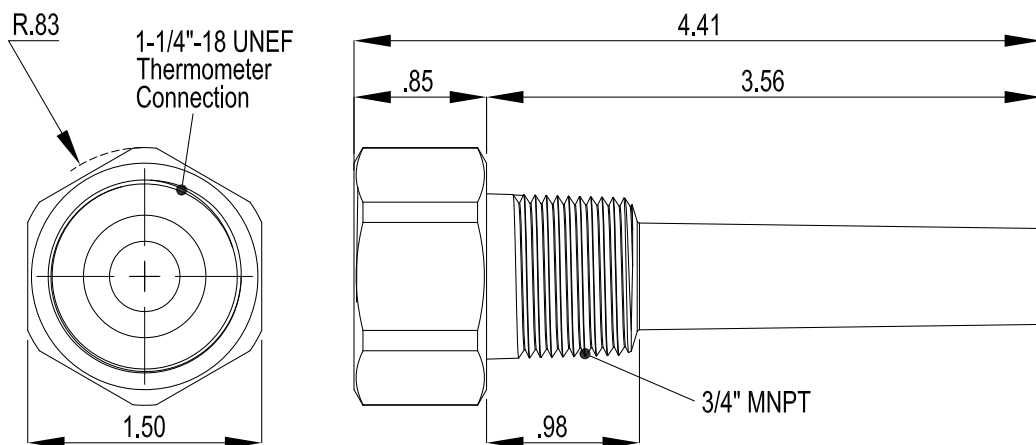
- Brass Construction
- Accepts 3.5" (90mm) Stem
- 7/16" Bore Diameter Taper
- Stepped Standard Form
- 3/4" MNPT Process Connection
- 1-1/4"-18 Instrument Connection

Standards

- NPT Connections Per ASME B1.20.1
- Instrument Connection Per UNEF
- CAN/CGSB 14.4-M88 Compliant
- Meets ASME B40.200 for Thermowells (Includes B40.9)

Part Number

Size	Part Number
3-1/2"	FNWBTWN



DOC: FNWBTW09 Ver. 10/2013

© 2013 - FNW. All rights reserved.

The FNW logo is a trademark of Ferguson Enterprises, Inc., PL Sourcing, PO Box 2778, Newport News, VA 23609

www.fnw.com

The contents of this publication are presented for information purposes only, and while effort has been made to ensure their accuracy, they are not to be construed as warranties or guarantees, expressed or implied, regarding the products or services described herein or their use or applicability. All sales are governed by our terms and conditions, which are available on request. We reserve the right to modify or improve the designs or specifications of our products at any time without notice. Always verify that you have the most recent product specifications or other documentation prior to the installation of these products.