

## B7 STUD BOLT PRE-PACKAGED FLANGE KITS

### Features

- Material Test Reports (MTRs) in the Box
- Pre-package kits for ANSI class 150# and 300# Flanges
- Bagged & Packed in Double-Walled Strapped Cartons
- Studs:
  - Grade B7
  - Full Threaded Rod Stud Bolts
  - Chamfered Flat Faced Ends
  - Manufactured from Chromium-Molybdenum Ferritic Alloy Steel
  - Tensile Strength: 125 KSI Min.
  - Hardness 35 HRC Max.
- Nuts:
  - Grade 2H
  - Heavy Hex
  - Single-Chamfered with Bottom Washer Face
  - Manufactured from Carbon Steel
  - Rockwell Hardness: C24 to C38
- Threads:
  - 1" Diameter & Smaller - Unified Inch Coarse Series (UNC), Class 2A
  - 1-1/8" Diameter - Unified Inch 8 Thread Series (UN8), Class 2A
- Plain Finish Coated with Light Protective Oil
- Right Hand Threads
- Heat Treated
- Manufacturer Identification and Grade Marks on All Studs and Nuts
- Studs and Nuts are Heat Code Traceable\*
- Stud and Nut Sets are Lot Number Traceable\*



### Markings

Studs and nuts are marked per ASTM requirements

- Manufacturer Mark: HY (hex nut marks can vary)
- Stud Grade Mark: B7
- Hex Nut Grade Mark: 2H



### Standards

- Studs:
  - Material & Mechanical Properties: ASTM A193 Grade B7
  - Threads: ASME B1.1, UNC or UN8, Class 2A
- Nuts:
  - Material & Mechanical Properties: ASTM A194 Grade 2H
  - Dimensions: ASME B18.2.2

\* Heat codes and lot numbers are listed on box labels. MTRs are included in each kit.



**NOTE:** Figure B7K flange kits are tagged with a yellow label to indicate that this is a complete set for one flange connection. The yellow tag differentiates these kits from the white tag boxes used for our bulk sold figure B7 stud/nuts.

THIS BOX CONTAINS  
**1 FLANGE KIT**  
SOLD AS SINGLE UNIT

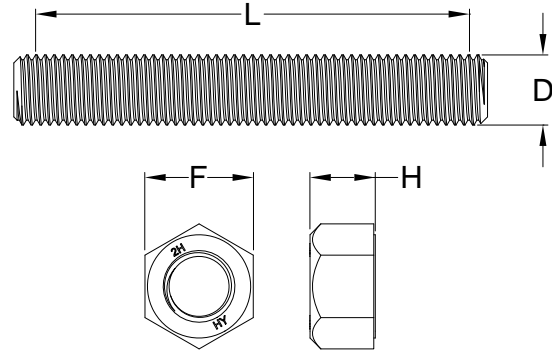
### Figure Number Matrix

| FNW B7K 1 X  |             |          |
|--------------|-------------|----------|
| FLANGE CLASS | FLANGE SIZE |          |
| 1 = 150#     | 1/2" = D    | 3" = M   |
| 3 = 300#     | 3/4" = F    | 4" = P   |
|              | 1" = G      | 5" = S   |
|              | 1-1/4" = H  | 6" = U   |
|              | 1-1/2" = J  | 8" = X   |
|              | 2" = K      | 10" = 10 |
|              | 2-1/2" = L  | 12" = 12 |

# B7 STUD BOLT PRE-PACKAGED FLANGE KITS

## Part Numbers & Dimensions

| Flange Size | 150#        |                |          |          |          |         |           |
|-------------|-------------|----------------|----------|----------|----------|---------|-----------|
|             | Part Number | D (inch) (UNC) | L (inch) | F (inch) | H (inch) | Qty/Kit | Wt. (lbs) |
| 1/2         | FNWB7K1D    | 1/2 - 13       | 2 1/2    | 7/8      | 31/64    | 4       | 1.07      |
| 3/4         | FNWB7K1F    | 1/2 - 13       | 2 1/2    | 7/8      | 31/64    | 4       | 1.07      |
| 1           | FNWB7K1G    | 1/2 - 13       | 2 1/2    | 7/8      | 31/64    | 4       | 1.07      |
| 1-1/4       | FNWB7K1H    | 1/2 - 13       | 2 3/4    | 7/8      | 31/64    | 4       | 1.12      |
| 1-1/2       | FNWB7K1J    | 1/2 - 13       | 3        | 7/8      | 31/64    | 4       | 1.16      |
| 2           | FNWB7K1K    | 5/8 - 11       | 3 1/4    | 1-1/16   | 39/64    | 4       | 2.04      |
| 2-1/2       | FNWB7K1L    | 5/8 - 11       | 3 1/2    | 1-1/16   | 39/64    | 4       | 2.11      |
| 3           | FNWB7K1M    | 5/8 - 11       | 3 1/2    | 1-1/16   | 39/64    | 4       | 2.11      |
| 4           | FNWB7K1P    | 5/8 - 11       | 3 3/4    | 1-1/16   | 39/64    | 8       | 4.37      |
| 5           | FNWB7K1S    | 3/4 - 10       | 3 3/4    | 1-1/4    | 47/64    | 8       | 6.72      |
| 6           | FNWB7K1U    | 3/4 - 10       | 4        | 1-1/4    | 47/64    | 8       | 6.93      |
| 8           | FNWB7K1X    | 3/4 - 10       | 4 1/4    | 1-1/4    | 47/64    | 8       | 7.15      |
| 10          | FNWB7K110   | 7/8 - 9        | 4 1/2    | 1-7/16   | 55/64    | 12      | 15.98     |
| 12          | FNWB7K112   | 7/8 - 9        | 4 3/4    | 1-7/16   | 55/64    | 12      | 16.43     |



Notes:

1. Diameters (D) up to and including 1" are UNC, Class 2A, per ASME B1.1.
2. Diameters (D) 1-1/8" are UN8, Class 2A, per ASME B1.1.
3. Lengths (L) are effective thread lengths, excluding end points. Overall stud bolt length will be longer.
4. Heavy hex nut dimensions are nominal per ASME B18.2.2.

| Flange Size | 300#        |                 |          |          |          |         |           |
|-------------|-------------|-----------------|----------|----------|----------|---------|-----------|
|             | Part Number | D (inch) (UNC)* | L (inch) | F (inch) | H (inch) | Qty/Kit | Wt. (lbs) |
| 1/2         | FNWB7K3D    | 1/2 - 13        | 2 1/2    | 7/8      | 31/64    | 4       | 1.07      |
| 3/4         | FNWB7K3F    | 5/8 - 11        | 3        | 1-1/16   | 39/64    | 4       | 1.96      |
| 1           | FNWB7K3G    | 5/8 - 11        | 3        | 1-1/16   | 39/64    | 4       | 1.96      |
| 1-1/4       | FNWB7K3H    | 5/8 - 11        | 3 1/4    | 1-1/16   | 39/64    | 4       | 2.04      |
| 1-1/2       | FNWB7K3J    | 3/4 - 10        | 3 1/2    | 1-1/4    | 47/64    | 4       | 3.25      |
| 2           | FNWB7K3K    | 5/8 - 11        | 3 1/2    | 1-1/16   | 39/64    | 8       | 4.22      |
| 2-1/2       | FNWB7K3L    | 3/4 - 10        | 4        | 1-1/4    | 47/64    | 8       | 6.93      |
| 3           | FNWB7K3M    | 3/4 - 10        | 4 1/4    | 1-1/4    | 47/64    | 8       | 7.15      |
| 4           | FNWB7K3P    | 3/4 - 10        | 4 1/2    | 1-1/4    | 47/64    | 8       | 7.37      |
| 5           | FNWB7K3S    | 3/4 - 10        | 4 3/4    | 1-1/4    | 47/64    | 8       | 7.52      |
| 6           | FNWB7K3U    | 3/4 - 10        | 4 3/4    | 1-1/4    | 47/64    | 12      | 11.28     |
| 8           | FNWB7K3X    | 7/8 - 9         | 5 1/2    | 1-7/16   | 55/64    | 12      | 17.77     |
| 10          | FNWB7K310   | 1 - 8           | 6 1/2    | 1-5/8    | 63/64    | 16      | 35.33     |
| 12          | FNWB7K312   | 1-1/8 - 8       | 6 3/4    | 1-13/16  | 1-7/64   | 16      | 48.12     |

\* Diameters 1-1/8" and larger are UN8

DOC: FNWB7K13 Ver. 4/2013

© 2013 - FNW. All rights reserved.

The FNW logo is a trademark of Ferguson Enterprises, Inc., PL Sourcing, PO Box 2778, Newport News, VA 23609

The contents of this publication are presented for information purposes only, and while effort has been made to ensure their accuracy, they are not to be construed as warranties or guarantees, expressed or implied, regarding the products or services described herein or their use or applicability. All sales are governed by our terms and conditions, which are available on request. We reserve the right to modify or improve the designs or specifications of our products at any time without notice. Always verify that you have the most recent product specifications or other documentation prior to the installation of these products.