

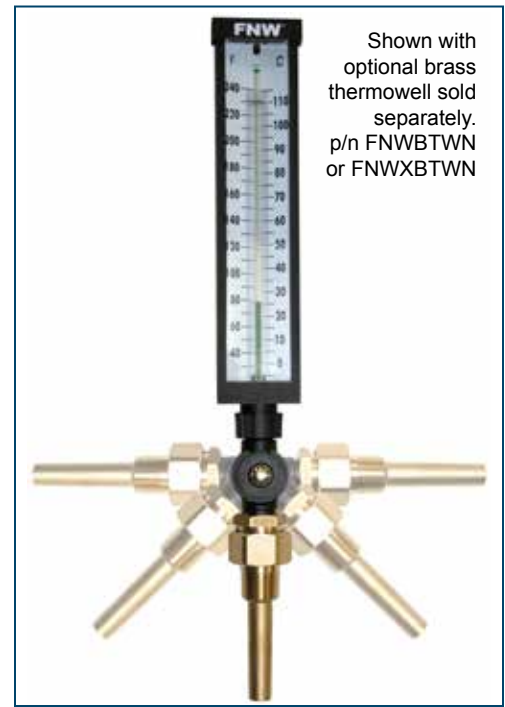
ADJUSTABLE ANGLE THERMOMETER

The figure 9S adjustable angle thermometer is widely used in the commercial plumbing market. The thermometer is well suited for new construction, plumbing, water lines, boilers, heating, ventilation, and air conditioning applications.

Features:

- Dual Scale (°F and °C)
- +/- 1% Accuracy
- Adjustable in 20 Positions Over 180°
- 360° Case Rotation
- 3.5" (90mm) Stem
- Glass Organic Non-Mercury Filled Tube (Green Kerosene)
- Graphite Filled Bulb Chamber for Maximum Heat Conduction
- 9 Inch Valox® Case*
- Glass Lens
- 1-1/4"-18 UNEF Brass Swivel Nut Connection
- -40°F to 330°F (-40°C to 150°C) Process Temperature Limit
- IP54 Enclosure Rating
- CAN/CGSB 14.4-M88 Compliant
- ASME B40.200, ASTM E1 (E2251) Compliant

* Valox is a registered trademark of General Electric Company

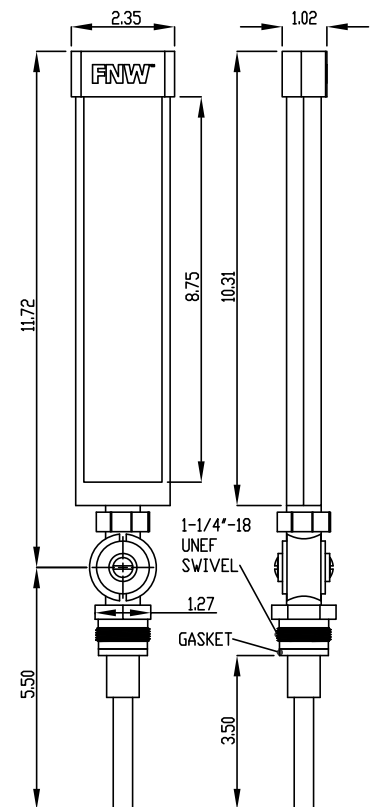


Specifications

Range (°F)	Gradations	Stem Length	Scale Size
0 to 120	1°	3-1/2"	9"
0 to 160	2°	3-1/2"	9"
30 to 240	2°	3-1/2"	9"

Part Numbers

Range (°F)	Part Number
0 to 120	FNW9S0120AT
0 to 160	FNW9S0160AT
30 to 240	FNW9S30240AT



DOC: FNW9S09 Ver. 11/2013

© 2013 - FNW. All rights reserved.

The FNW logo is a trademark of Ferguson Enterprises, Inc., PL Sourcing, PO Box 2778, Newport News, VA 23609

www.fnw.com

The contents of this publication are presented for information purposes only, and while effort has been made to ensure their accuracy, they are not to be construed as warranties or guarantees, expressed or implied, regarding the products or services described herein or their use or applicability. All sales are governed by our terms and conditions, which are available on request. We reserve the right to modify or improve the designs or specifications of our products at any time without notice. Always verify that you have the most recent product specifications or other documentation prior to the installation of these products.