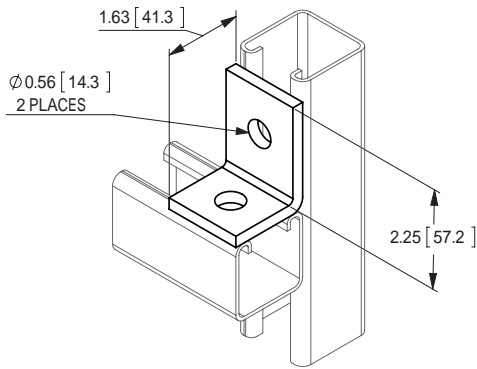
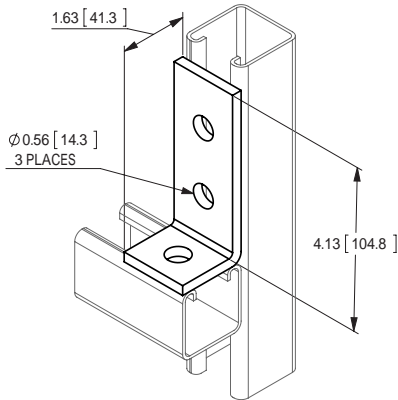


FIGURE 7842 - Cross Corner Angle Fitting

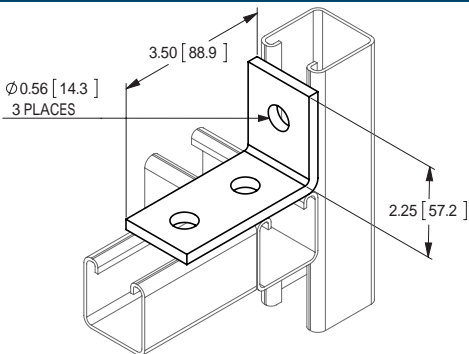


2-Hole Catalog Number: FNW7842Z2
FNW7842G2

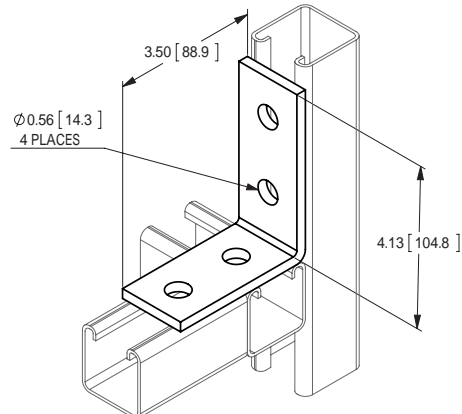


3-Hole Catalog Number: FNW7842Z3

FIGURE 7843 - 3-Way Cross Corner Angle Fitting

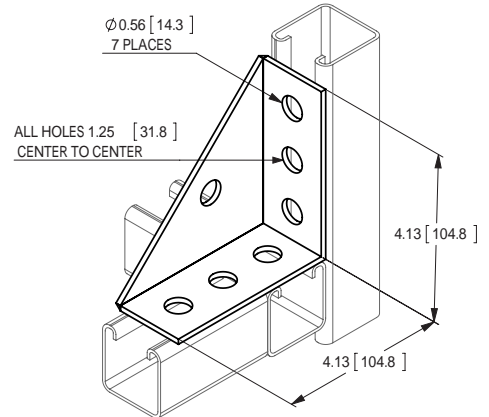


3-Hole Catalog Number: FNW7843Z3



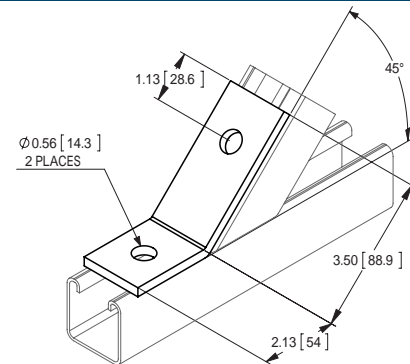
4-Hole Catalog Number: FNW7843Z4
FNW7843G4

FIGURE 7844 - 7-Hole Gusset Angle Fitting



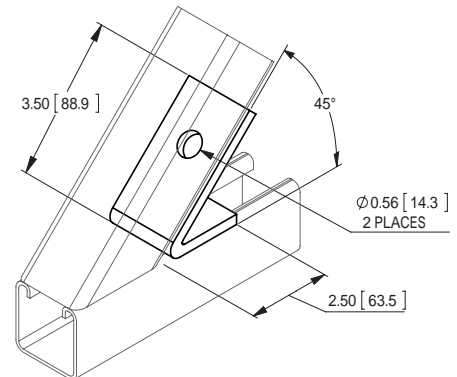
Catalog Number: FNW7844Z7

FIGURE 7845 - 2-Hole Open 45° Corner Angle Fitting



2-Hole Catalog Number: FNW7845Z2

FIGURE 7846 - 2-Hole Closed 45° Corner Angle



Catalog Number: FNW7846Z2