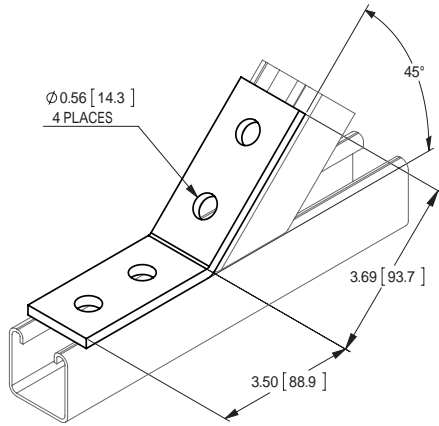
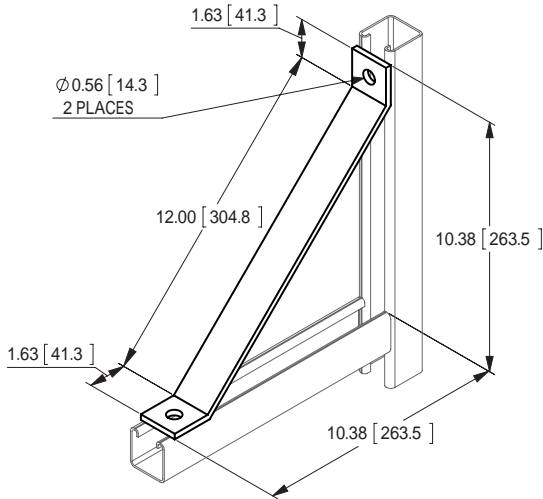


FIGURE 7847 - 4-Hole Open 45° Corner Angle Fitting

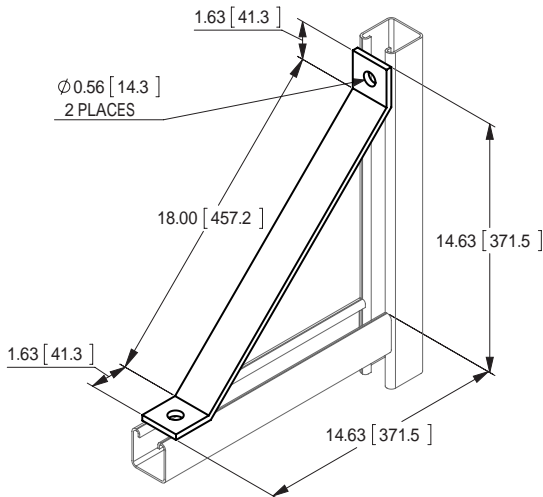


Catalog Number: FNW7847Z4

FIGURE 7848 - 2-Hole Angle Brace

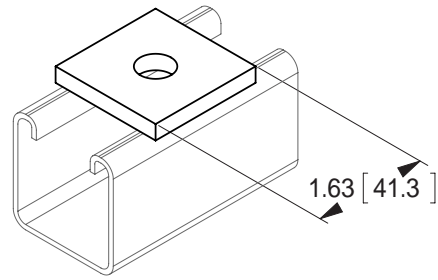


Catalog Number: FNW7848Z1200



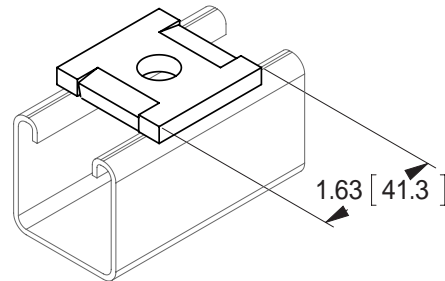
Catalog Number: FNW7848Z1800

FIGURE 7835 - Square Washer Flat Fitting



Catalog Number	Bolt Size		Hole Size	
	in.	mm	in.	mm
FNW7835Z0037 FNW7835G0037 FNW7835S0037	3/8	8	7/16	11.1
FNW7835Z0050 FNW7835G0050 FNW7835S0050	1/2	12	9/16	14.3
FNW7835Z0062 FNW7835G0062	5/8	16	11/16	17.5
FNW7835Z0075	3/4	20	13/16	20.6

FIGURE 7836 - Notched Square Washer Flat Fitting



Catalog Number	Bolt Size	
	in.	mm
FNW7836Z0037 FNW7836G0037	3/8	8
FNW7836Z0050	1/2	12