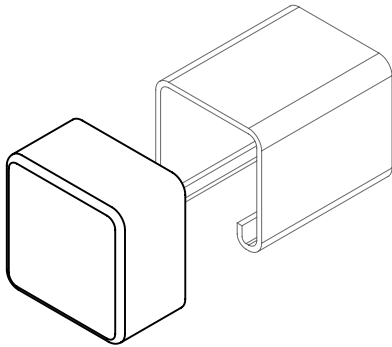
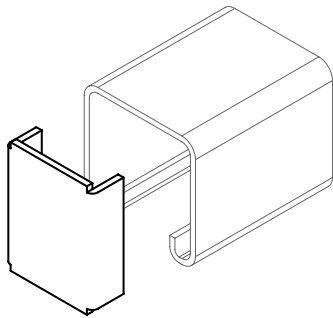


**FIGURE 7830 - PVC Channel End Cap (1/5/8")**



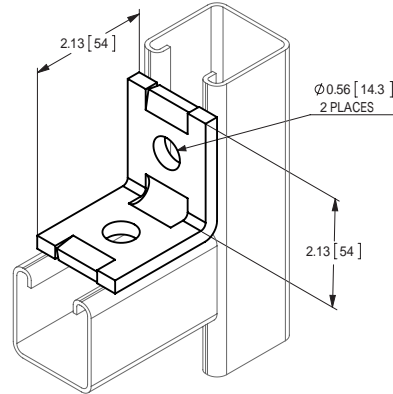
White PVC  
Catalog Number: FNW7830W0162

**FIGURE 7831 - Channel End Cap (1-5/8")**



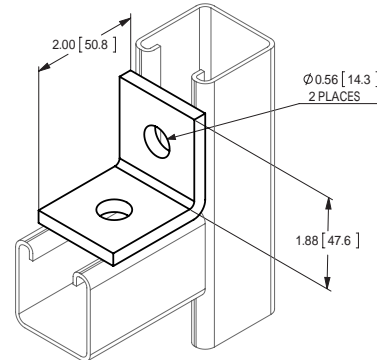
End Cap 1-5/8" 12 Ga.  
Catalog Number: FNW7831Z0162

**FIGURE 7840 - No Twist 2-Hole Corner Angle Fitting**

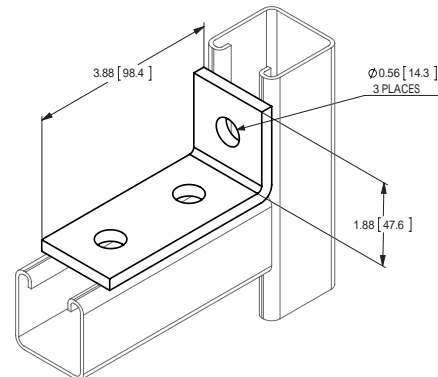


Catalog Number: FNW7840Z2

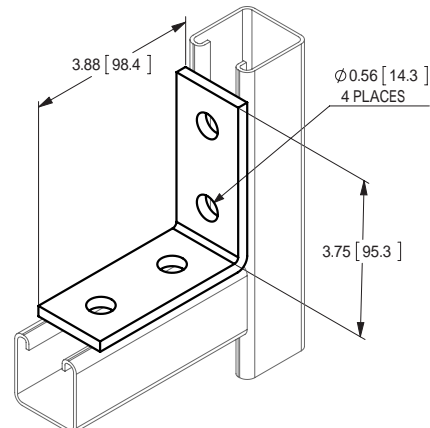
**FIGURE 7841 - Corner Angle Fitting**



Catalog Number: FNW7841Z2  
FNW7841S2



Catalog Number: FNW7841Z3



Catalog Number: FNW7841Z4  
FNW7841S4