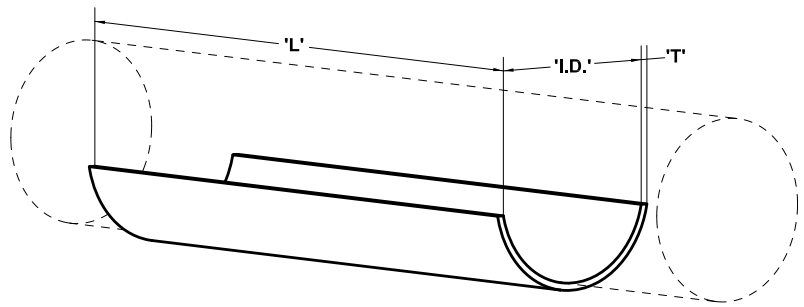


FIGURE 7750 (Standard) & 7751 (Domestic¹) - MSS Compliant Insulation Protection Shields

Finish: G60 Galvanized Coating
 Material: Steel, ASTM 1011 type B
 MSS SP-58, Type 40*
 Federal Specification WW-H-171, Type 41*

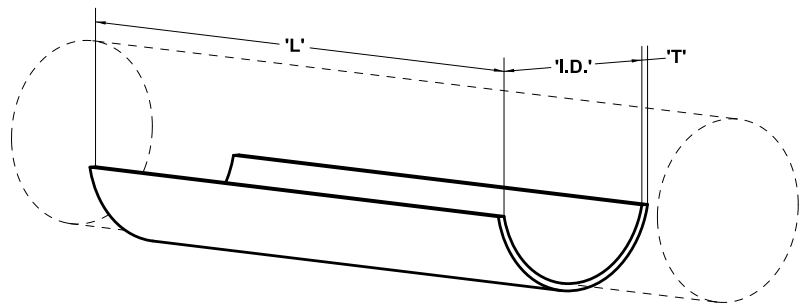
* Complies when used within the pipe size, insulation thickness, and compressive strength of insulation as specified by MSS SP-58.



Catalog Number		Shield Size	L		I.D.		T			Required Hanger Size	Weight Lbs.
Standard	Domestic ¹		in.	mm	in.	mm	in.	mm	gauge		
FNW7750Z0150	FNW7751Z0150	1-1/2	12	305	1.91	48.4	0.047	1.2	18	1-1/2"	0.47
FNW7750Z0200	FNW7751Z0200	2	12	305	2.38	60.4	0.047	1.2	18	2"	0.58
FNW7750Z0250	FNW7751Z0250	2-1/2	12	305	2.88	73.2	0.047	1.2	18	2-1/2"	0.71
FNW7750Z0300	FNW7751Z0300	3	12	305	3.50	88.9	0.047	1.2	18	3"	0.86
FNW7750Z0350	FNW7751Z0350	3-1/2	12	305	4.00	101.6	0.047	1.2	18	3-1/2"	0.98
FNW7750Z0400	FNW7751Z0400	4	12	305	4.52	114.7	0.047	1.2	18	4"	1.10
FNW7750Z0450	FNW7751Z0450	4-1/2	12	305	5.00	127.0	0.047	1.2	18	5"	1.28
FNW7750Z0500	FNW7751Z0500	5	12	305	5.31	135.0	0.047	1.2	18	5"	1.38
FNW7750Z0550	FNW7751Z0550	5-1/2	12	305	5.56	141.2	0.047	1.2	18	5"	1.39
FNW7750Z0600	FNW7751Z0600	6	12	305	6.66	169.1	0.059	1.5	16	6"	2.02
FNW7750Z0700	FNW7751Z0700	7	12	305	7.65	194.3	0.059	1.5	16	8"	2.31
FNW7750Z0800	FNW7751Z0800	8	12	305	8.70	220.9	0.059	1.5	16	8"	2.79
FNW7750Z1000	FNW7751Z1000	10	18	458	10.86	275.8	0.059	1.5	16	10"	5.25
FNW7750Z1200	FNW7751Z1200	12	24	610	12.83	326.0	0.071	1.8	15	12"	9.55

FIGURE 7753 - Light Duty Insulation Protection Shields

Material: Carbon Steel, ASTM A653, type A/B
 Finish: G60 Galvanized Coating



Catalog Number	L		I.D.			T			Required Hanger Size	Weight Lbs.
	in.	mm	in.	mm	± in (mm)	in.	mm	gauge		
FNW7753Z0000	11.9	302	1.90	48.3	0.093 (2.38)	0.024	0.6	24	1-1/2"	0.25
FNW7753Z0001	11.9	302	2.38	60.5	0.093 (2.38)	0.024	0.6	24	2"	0.31
FNW7753Z0002	11.9	302	2.87	72.9	0.093 (2.38)	0.024	0.6	24	2-1/2"	0.38
FNW7753Z0003	12	305	3.50	88.9	0.093 (2.38)	0.047	1.2	18	3"	0.88
FNW7753Z0004	12	305	4.00	101.6	0.093 (2.38)	0.047	1.2	18	3-1/2"	1.01
FNW7753Z0005	12	305	4.50	114.3	0.093 (2.38)	0.047	1.2	18	4"	1.13
FNW7753Z0006	12	305	5.00	127.0	0.125 (3.18)	0.047	1.2	18	5"	1.26
FNW7753Z0007	12	305	5.63	143.0	0.125 (3.18)	0.047	1.2	18	5"	1.40
FNW7753Z0008	12	305	6.62	168.1	0.125 (3.18)	0.047	1.2	18	6"	1.66
FNW7753Z0009	12	305	7.63	193.8	0.250 (6.35)	0.047	1.2	18	8"	1.91
FNW7753Z0010	12	305	8.62	219.0	0.250 (6.35)	0.047	1.2	18	8"	2.16
FNW7753Z0013	12	305	9.63	244.6	0.250 (6.35)	0.047	1.2	18	10"	2.41
FNW7753Z0014	12	305	10.75	273.0	0.250 (6.35)	0.047	1.2	18	10"	2.69
FNW7753Z0015	12	305	11.75	298.5	0.250 (6.35)	0.047	1.2	18	12"	2.94
FNW7753Z0016	12	305	12.75	323.9	0.250 (6.35)	0.047	1.2	18	12"	3.19