

## 150# IPS DUCTILE IRON BACK-UP FLANGES

### Features

- 150# Flange Drilling
- Cast Ductile Iron
- IPS Sizes
- For Ring Types:
  - Stub End SE Type C
  - Angle Face Ring (AFR)
- Finishes:
  - Red Primer Paint
  - Hot Dipped Galvanized
- Ring-side Beveled Inner Diameter
- Back-side Markings Visible When Installed
- Sizes 1 to 24 Inch

### Standards

- Material: ASTM A536 grade 65-45-12
- Hardness: ISO 1083
- Finish:
  - 1 mil Minimum (Red Primer)
  - ASTM A123 (Galvanized)

### Physical Properties

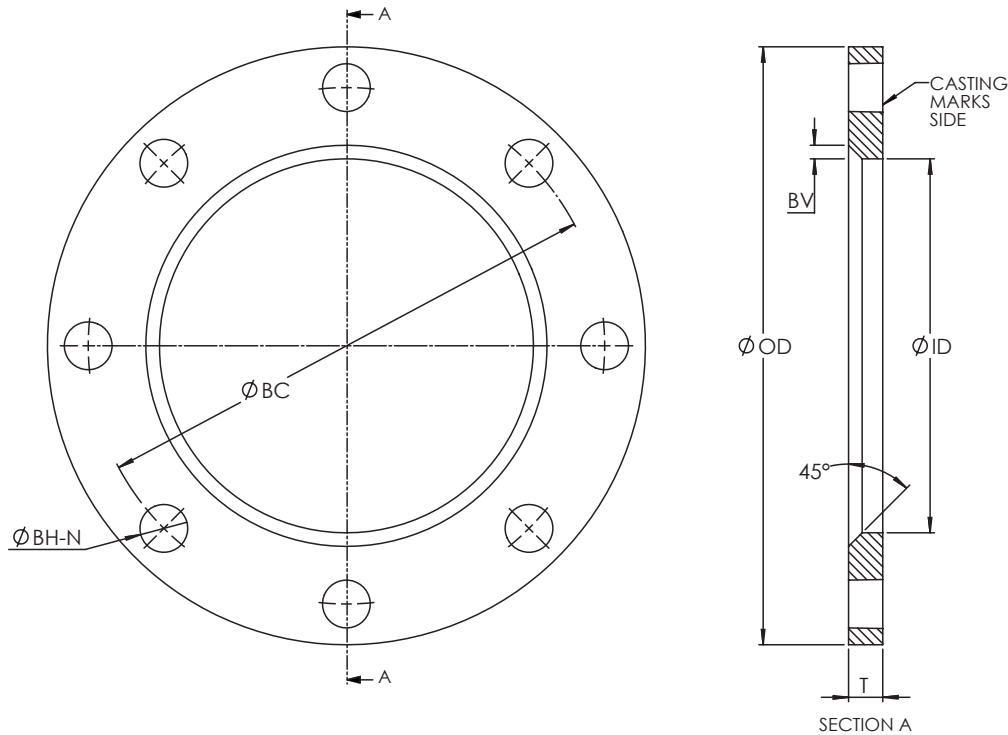
- Tensile Strength: 65 KSI Minimum
- Yield Strength: 45 KSI Minimum
- Elongation: 12% Minimum
- Hardness: HBW 160-210 (Brinell)



### Figure Number Matrix

FNW Figure Finish Size				
FIGURE	FINISH CODE	SIZE CODE		
STUB END = 72	RED PRIMER = P	1 = G	5 = S	16 = 16
ANGLE FACE RING = 73	GALVANIZED = G	1-1/2 = J	6 = U	18 = 18
		2 = K	8 = X	20 = 20
		2-1/2 = L	10 = 10	24 = 24
		3 = M	12 = 12	
		4 = P	14 = 14	

## 150# IPS DUCTILE IRON BACK-UP FLANGES



**Dimensions (inches)**

Size	ØOD	ØID		T	BV	BC	BH	N	Wt. (Lbs.)	
		SE	AFR						SE	AFR
1	4.25	1.44	1.75	0.50	0.25	3.13	0.63	4	1.43	1.32
1-1/2	5.00	2.06	2.38	0.50	0.25	3.88	0.63	4	1.76	1.76
2	6.00	2.63	2.88	0.50	0.25	4.75	0.75	4	2.91	2.91
2-1/2	7.00	3.13	3.38	0.50	0.25	5.50	0.75	4	3.81	3.81
3	7.50	3.75	4.00	0.50	0.25	6.00	0.75	4	4.01	4.01
4	9.00	4.75	5.00	0.56	0.25	7.50	0.75	8	6.61	5.95
5	10.00	5.75	6.06	0.63	0.25	8.50	0.88	8	7.61	7.05
6	11.00	6.88	7.25	0.63	0.25	9.50	0.88	8	8.82	8.00
8	13.50	8.88	9.25	0.63	0.31	11.75	0.88	8	13.45	11.90
10	16.00	11.00	11.44	0.63	0.31	14.25	1.00	12	15.10	14.11
12	19.00	13.00	13.63	0.75	0.31	17.00	1.00	12	27.23	24.47
14	21.00	14.25	14.88	0.75	0.31	18.75	1.13	12	35.94	32.19
16	23.50	16.25	16.88	0.75	0.38	21.25	1.13	16	42.33	40.04
18	25.00	18.25	18.88	0.88	0.38	22.75	1.25	16	46.96	43.87
20	27.50	20.25	20.88	0.88	0.38	25.00	1.25	20	55.12	53.04
24	32.00	24.25	24.88	1.00	0.38	29.50	1.38	20	82.01	80.03

### Tolerances

Dimension	ID	T	BV	BC 10"-12": ± .079 BC 14"-24": ± .098	OD 12"-24": ± .120	BH
				BC	OD	
Tolerances	+0.079	+0.12	+0.039	+0.059	+0.079	+0.079
	-0	-0	-0	-0.059	-0.059	-0

DOC: FNW72-7314 Ver. 07/2014

© 2014 - FNW. All rights reserved. 21369

The FNW logo is a trademark of Ferguson Enterprises, Inc., PL Sourcing, PO Box 2778, Newport News, VA 23609

The contents of this publication are presented for information purposes only, and while effort has been made to ensure their accuracy, they are not to be construed as warranties or guarantees, expressed or implied, regarding the products or services described herein or their use or applicability. All sales are governed by our terms and conditions, which are available on request. We reserve the right to modify or improve the designs or specifications of our products at any time without notice. Always verify that you have the most recent product specifications or other documentation prior to the installation of these products.