

FIGURE 721A

THERMOPLASTIC VALVES

WAFER STYLE BUTTERFLY VALVE

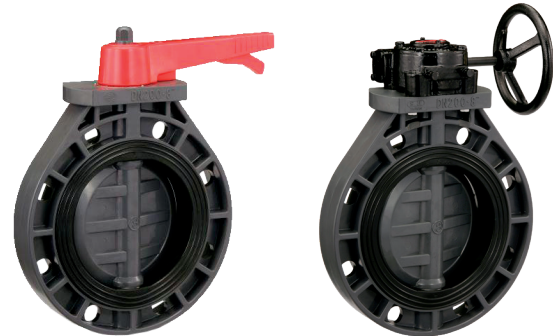


FEATURES

- Compact design
- Pressure Rating:
 - 150 PSI @ 73°F (2" to 10")
 - 100 PSI @ 73°F (12")
- Temperature Range: 41°F–122°F (5°C–50°C)
- EPDM or FPM (Viton®) seat/seals
- Wafer style with guide holes drill to 125/150# flanges
- Bubble tight shutoff
- Ideally suited for limited piping spaces
- Can be modified for actuator installation
- Lever operated
 - 2" to 4" - 6 position latch
 - 6" to 8" - 7 position latch
- Gear operated (8"–12")

OPTIONS

- FNW offers many options and modifications for valves. These include, but are not limited to: Actuation including chain wheels, worm gear operators, pneumatic and electric operators, control accessories, stem extensions, and custom mounting hardware. Contact FNW with your specific application needs.



Lever Operated

Gear Operated

TORQUE, CV & WEIGHTS

Size	Torque (in-lbs)	Cv	Weight (lbs)
2"	70	100	2.98
2-1/2"	170	265	3.68
3"	217	390	4.23
4"	260	500	6
5"	520	660	9.55
6"	780	1160	11.27
8"	950	1995	16.58
Gear Operated			
8"	950	1995	30.47
10"	1480	3570	39.76
12"	2345	5048	84.47

DIMENSIONS (INCHES)

Size	D1	D2	D3	øe	n	L	L1	D4	H1	H2	H3	I	K	D5
2"	2.16	4.84	6.46	0.75	4	1.42	1.61	4.13	3.23	4.21	2.48	9.92	7.95	3.66
2-1/2"	2.74	5.37	7.28	0.75	4	1.57	1.83	5.05	3.62	4.57	2.48	10.67	7.95	3.76
3"	3.07	5.97	7.72	0.75	4	1.58	1.77	5	3.86	4.84	2.48	11.18	7.95	3.76
4"	3.94	7.16	8.85	0.75	8	1.89	2	5.27	4.43	5.49	2.68	12.6	9.96	3.94
5"	5.04	8.36	10	0.91	8	2.11	2.32	6.67	5	6.3	3.35	14.65	11.69	3.97
6"	5.98	9.44	11.26	0.91	8	2.01	2.24	6.69	5.63	7	3.39	16.02	11.69	3.98
8"	7.87	11.75	13.54	1.02	8	2.4	2.68	7.52	6.77	8.35	3.39	18.5	11.69	4.31
Gear Operated														
8"	7.87	11.75	13.54	1.02	8	2.4	2.68	7.09	6.77	8.35	2.91	18.03	7.6	5.53
10"	9.84	14.25	16.18	1	12	4.016	4.252	7.09	8.09	9.45	2.91	20.45	7.6	5.53
12"	12.2	17	19.45	1	12	4.724	4.961	12.01	9.72	11.89	4.05	25.66	8.47	8.74

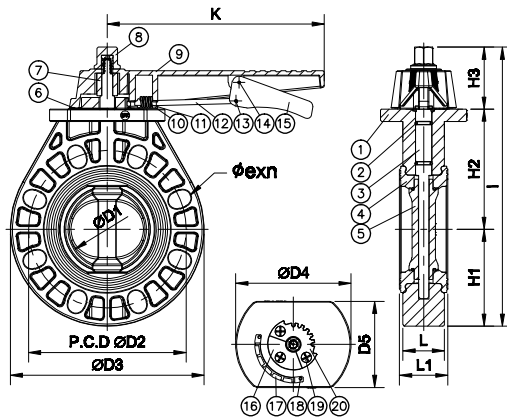
FIGURE 721A

THERMOPLASTIC VALVES

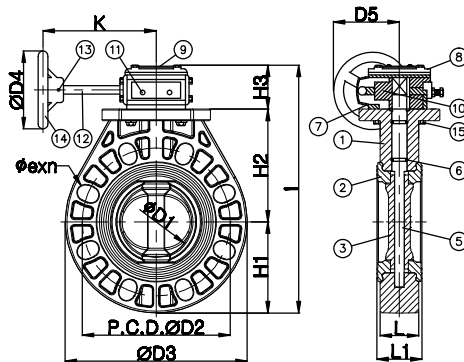
WAFER STYLE BUTTERFLY VALVE



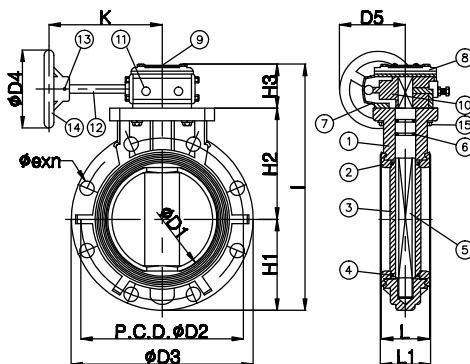
**2"-8"
Lever
Operated
Only**



**8" Gear
Operated
Only**



**10"-12"
Gear
Operated
Only**



PART MATERIALS & QUANTITY

Lever Operator Only

Ref #	Parts	Materials		Pcs
		EPDM Seat	Viton® Seat	
1	Body		PVC	1
2	Stem O-Ring	EPDM	FKM (Viton®)	2
3	Stem		SUS410	1
4	Seat	EPDM	FKM (Viton®)	1
5	Disc		PVC	1
6	Bolt		Brass	3
7	Handle Insert		FC-0208	1
8	Stem Bolt		Brass-Coated PVC	1
9	Handle		ABS	1
10	Handle Cap		ABS	1
11	Spring		SUS304	1
12	Lever		SUS304	1
13	Setpin (Short)		SUS304	1
14	Setpin (Long)		SUS304	1
15	Lever		ABS	1
16	Positioner		PVC	1
17	Indicator		SUS304	1
18	Bolt		SUS304	2
19	Bolt		SUS304	3
20	Teeth Plate		SUS304	1

Gear Operator Only

Ref #	Parts	Materials		Pcs
		EPDM Seat	Viton® Seat	
1	Body		PVC	1
2	Seat	EPDM	FKM (Viton®)	1
3	Disc		PVC	1
4	Disc O-Ring	EPDM	FKM (Viton®)	2
5	Stem		SUS410	1
6	Stem O-Ring	EPDM	FKM (Viton®)	2
7	Gear Box		FC200	1
8	Gear Box Cap		FC200	1
9	Indicator Plate		FCD450	1
10	Gear		FCD450	1
11	Adjustable Bolt		Steel	2
12	Gear Shaft		Carbon Steel	1
13	Set Pin		Steel	1
14	Hand Wheel		Cast Steel	1
15	Tightening Bolt		SUS304	4

FIGURE 721A

THERMOPLASTIC VALVES

WAFER STYLE BUTTERFLY VALVE



PRESSURE/TEMPERATURE

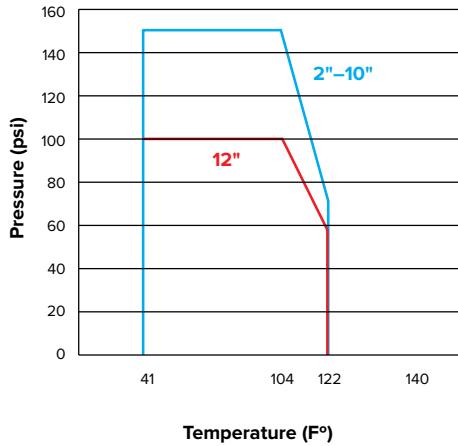


FIGURE NUMBER MATRIX

FNW	7	2	1A	E	G	X
				<i>Seat/Seals</i>	<i>Operator</i>	<i>Size Codes</i>
				E = EPDM	Blank = Lever (2"-8")	2 = K
				V = FPM (Viton®)	G = Gear (8"-12")	2-1/2 = L
						3 = M
						4 = P
						5 = S
						6 = U
						8 = X
						10 = 10
						12 = 12