

FIGURE 7205 CENTER LOAD BEAM CLAMP

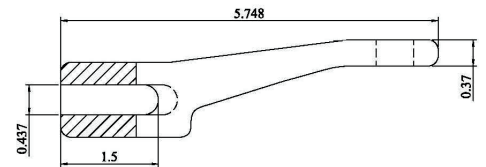
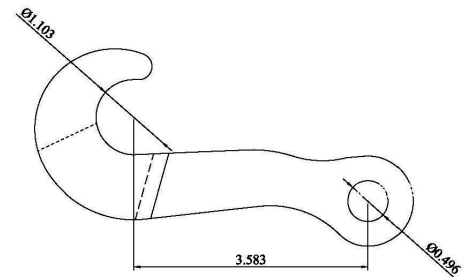
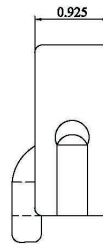
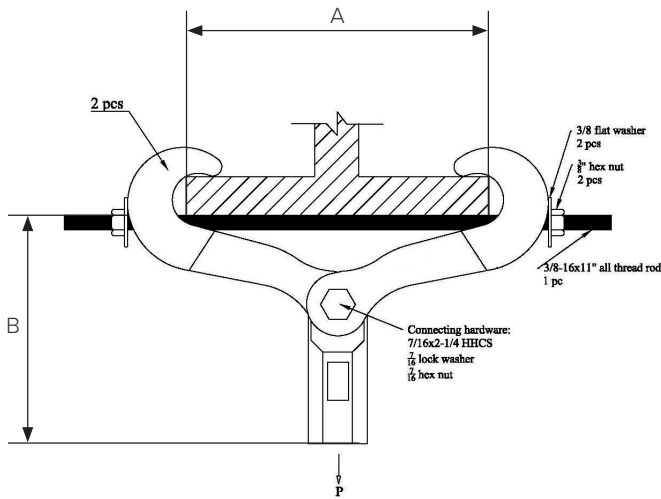


CENTER LOAD BEAM CLAMP

PRODUCT SPECIFICATIONS

Standards

- Finish: Plain
- Material: Malleable Iron
- Standard: ASTM A47, Grade 32510, MSS-SP58, Type -30
- FM Approved (3/8" only)



DIMENSIONS (INCHES)

Item No.	Rod Size	A=2-3/8	A=3	A=4	A=5	A=6	A=7	Max Load (lbs)	Weight (oz)
		B	B	B	B	B	B		
FNW7205PC	3/8"	4-3/4"	4-3/4"	4-1/2"	4-1/8"	3-7/8"	3-1/8"	610	2.43
FNW7205PD	1/2"	4-7/8"	4-3/4"	4-3/4"	4-1/4"	4"	3-1/4"	1130	2.60
FNW7205PE	5/8"	4-15/16"	4-7/8"	4-3/4"	4-3/8"	4"	3-15/16"	1365	2.69
FNW7205PF	3/4"	5-3/16"	5-1/8"	5"	4-5/8"	4-1/4"	3-9/16"	1365	2.78
FNW720578	7/8"	5-1/4"	5-1/4"	5-1/16"	4-3/4"	4-3/8"	3-5/8"	1365	3.00