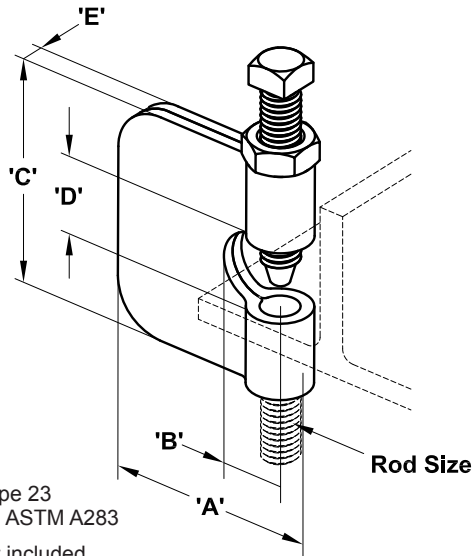


FIGURE 7201 - Steel Beam C-Clamp

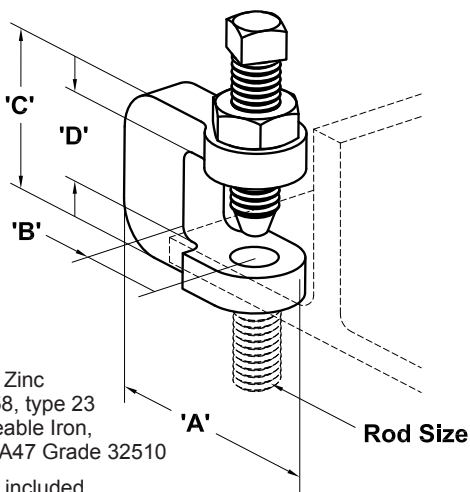


Finish: Plain
 MSS SP-58, type 23
 Material: Steel, ASTM A283
 Hanger rod not included

Catalog Number	A	B	C	D	E
FNW7201PC	2.13"	0.88"	2.38"	0.75"	0.25"

Rod Size	Finish	Max. Load	Wt. (Oz.)
3/8"-16	Plain	400 Lbs.	5.75

FIGURE 7202 - MI Beam C-Clamp



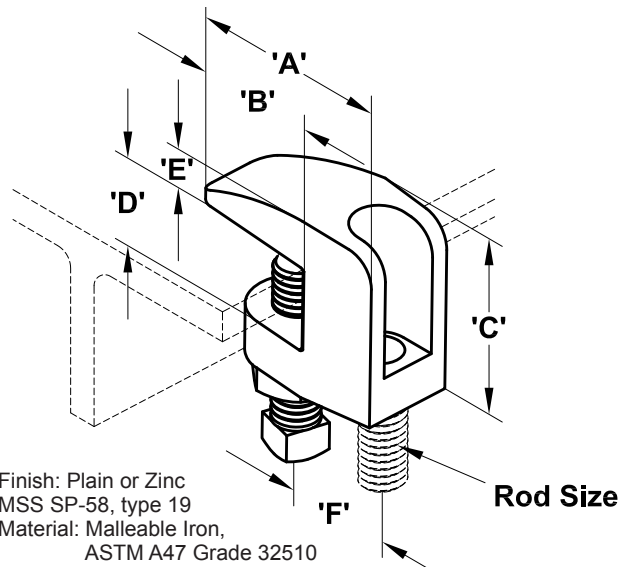
Finish: Plain or Zinc
 Per: MSS SP-58, type 23
 Material: Malleable Iron,
 ASTM A47 Grade 32510
 Hanger rod not included

Rod Size	A	B	C	D	Wt. (Oz.)
3/8"-16	1.75"	0.63"	1.75"	0.75"	3.60
1/2"-13	1.75"	0.63"	1.75"	0.75"	4.09
5/8"-11	2.00"	0.75"	2.00"	0.75"	8.54

Catalog Number	Finish	Rod Size	Max. Load (Lbs.)
FNW7202PC	Plain	3/8"-16	400
FNW7202ZC	Zinc	3/8"-16	400
FNW7202PD	Plain	1/2"-13	400
FNW7202ZD	Zinc	1/2"-13	400
FNW7202PE	Plain	5/8"-11	440

Note: Do not overtighten the set screw or the clamp can be damaged. The set screw should be finger tight, then given approximately an additional 1/4 to 1/3 turn. The recommended set screw torque is 5 ft-lbs (60 in-lbs).

FIGURE 7203 - Jr. Beam Clamp



Finish: Plain or Zinc
 MSS SP-58, type 19
 Material: Malleable Iron,
 ASTM A47 Grade 32510
 Hanger rod not included

Rod Size	A	B	C	D
3/8"-16	1.88"	1.22"	1.56"	0.75"
1/2"-13	2.06"	1.20"	1.63"	0.75"
5/8"-11	2.19"	1.20"	1.75"	0.75"
3/4"-10	2.38"	1.20"	1.75"	0.75"

Rod Size	E	F	Wt. (Oz.)
3/8"-16	0.41"	0.88"	4.94
1/2"-13	0.44"	0.97"	6.81
5/8"-11	0.50"	1.06"	9.17
3/4"-10	0.50"	1.06"	10.93

Catalog Number	Finish	Rod Size	Max. Load (Lbs.)
FNW7203PC	Plain	3/8"-16	400
FNW7203ZC	Zinc	3/8"-16	400
FNW7203PD	Plain	1/2"-13	500
FNW7203ZD	Zinc	1/2"-13	500
FNW7203PE	Plain	5/8"-11	600
FNW7203PF	Plain	3/4"-10	800

Note: Do not overtighten the set screw or the clamp can be damaged. The set screw should be finger tight, then given approximately an additional 1/4 to 1/3 turn. The recommended set screw torque is 5 ft-lbs (60 in-lbs).