

# FIGURE 633 & 634 STAINLESS STEEL BALL VALVES



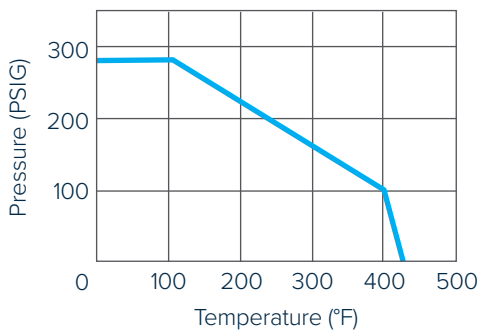
## 3-WAY FULL PORT 150# FLANGED

### FEATURES

- ANSI B16.5 150# flanges
- Full port
- All stainless steel construction
- L-Port 90° flow path (fig. 633)
- T-Port 90° and 180° flow path (fig. 634)
- RTFE seats
- Single-piece stem and ball
- Trunion mounted
- Top entry body design
- Adjustable packing
- Pad lockable stem (up to 3")
- 4-hole actuator mounting pad
- Sizes 2" to 8"



### PRESSURE/TEMPERATURE



### FIGURE NUMBER MATRIX

FNW	Port Type	Size	
633	L-Port = 3	2 = K	4 = P
	T-Port = 4	2-1/2 = L	6 = U
		3 = M	

### REPAIR KITS (ORDER SEPARATELY)

Product Type	Size I
FNW 633RKT	2" = K
	3" = M
	4" = P
	6" = U

### TORQUE

Size	In-Lbs
2	800
2-1/2	1,200
3	1,800
4	3,100
6	10,000
8	18,000

**Note:** Torque values do not include safety factory, 40% safety factory recommended when sizing an actuator

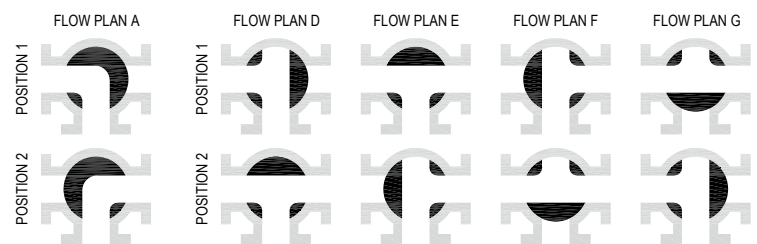
### CV & WEIGHTS

Size	Cv 90° (L-Port)	Cv 90° (T-Port)	Cv 180° (T-Port)	Wt. (Lbs)
2	153	188	109	35
2-1/2	275	336	194	57
3	364	446	258	68
4	662	811	468	110
6	1,575	1,929	1,114	243
8	2,889			408

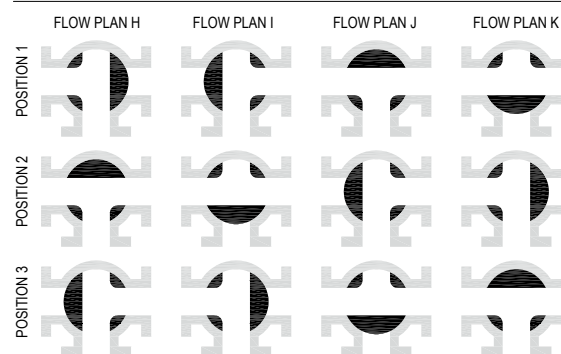
#### 90° L-PORT PATTERNS



#### 90° T-PORT PATTERNS



#### 180° T-PORT PATTERNS



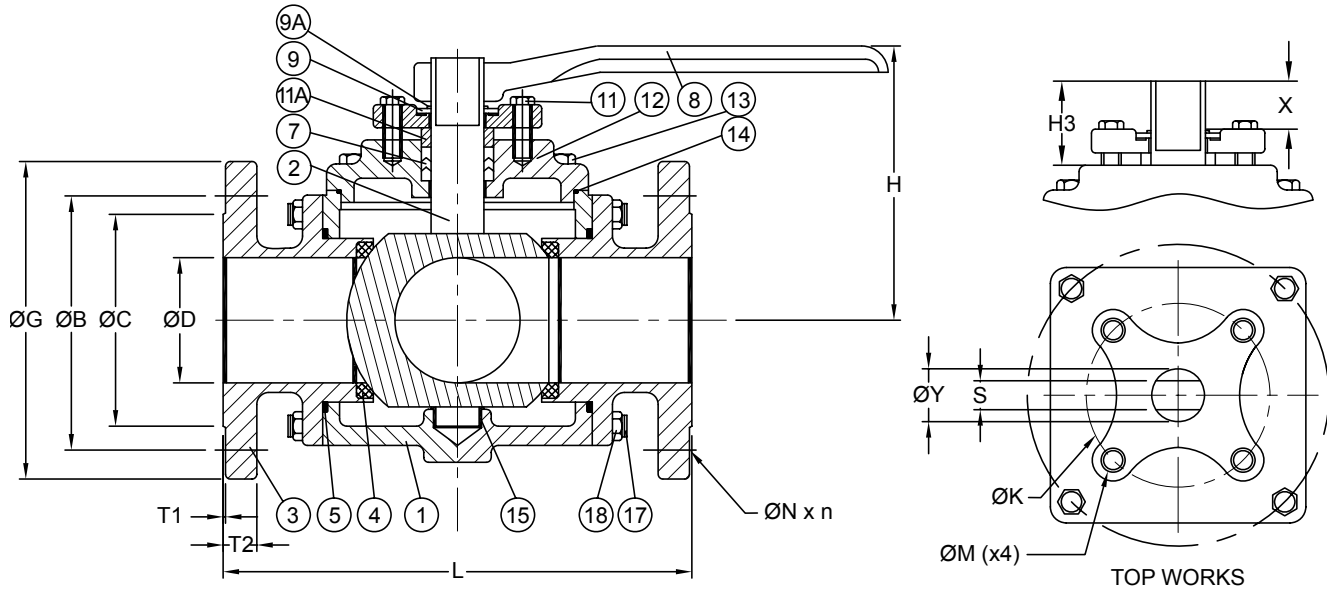
**Note:** When requesting 3-way valves with actuation or limit switches from FNW, indicate which flow plan is desired by its associated letter.

# FIGURE 633 & 634 STAINLESS STEEL BALL VALVES



3-WAY FULL PORT 150# FLANGED

## PARTS BREAKDOWN



## DIMENSIONS (INCHES)

Size	ØB	ØC	ØD	E	ØG	L	H	ØK	ØM	T1	T2	n	ØN	S	ØY	H3	X
2	4.75	3.62	1.97	15.16	5.98	8.66	4.80	2.76	3/8	0.06	0.63	4	0.75	0.67	0.87	1.77	0.79
2-1/2	5.50	4.13	2.60	15.16	7.01	11.06	6.42	2.76	7/16	0.06	0.69	4	0.75	0.67	1.16	2.99	1.77
3	6.00	5.00	2.99	15.16	7.48	10.94	6.34	4.02	7/16	0.06	0.75	4	0.75	0.67	1.16	2.44	1.42
4	7.50	6.18	3.98	15.16	9.02	13.15	8.46	4.92	1/2	0.06	0.94	8	0.75	0.91	1.34	2.48	1.42
6	9.50	8.50	5.94	19.69	10.98	16.93	10.08	4.92	1/2	0.06	1.00	8	0.87	1.38	1.77	3.15	1.57
8	11.75	10.63	7.91	19.69	13.50	21.22	11.93	6.50	5/8	0.06	1.13	8	0.87	1.77	2.36	3.31	1.61

## STANDARD MATERIALS & QUANTITY

Ref #	Description	Material	Qty
1	Body	ASTM A351 Gr. CF8M	1
2	Ball & Stem	ASTM A351 Gr. CF8M	1
3	Flanged End Cap	ASTM A351 Gr. CF8M	3
4	Seat	RTFE (PTFE+15% G.F.)	3
5	Body Seal	PTFE	3
7	Stem Packing	PTFE	1 Set
8	Handle	FCD45	1
9	Stopper	304SS	1
9A	Retainer Ring	S45C	1

Ref #	Description	Material	Qty
11	Gland Bolt	304SS	2
11A	Gland	CF8	1
12	Cover	ASTM A351 Gr. CF8M	1
13	Cover Bolt	304SS	1 Set
14	Cover Seal	PTFE	1
15	Stem Sleeve	PTFE+SS	1
17	Body Stud	304SS	3 Sets
18	Body Nut	304SS	3 Sets