

Figure 551

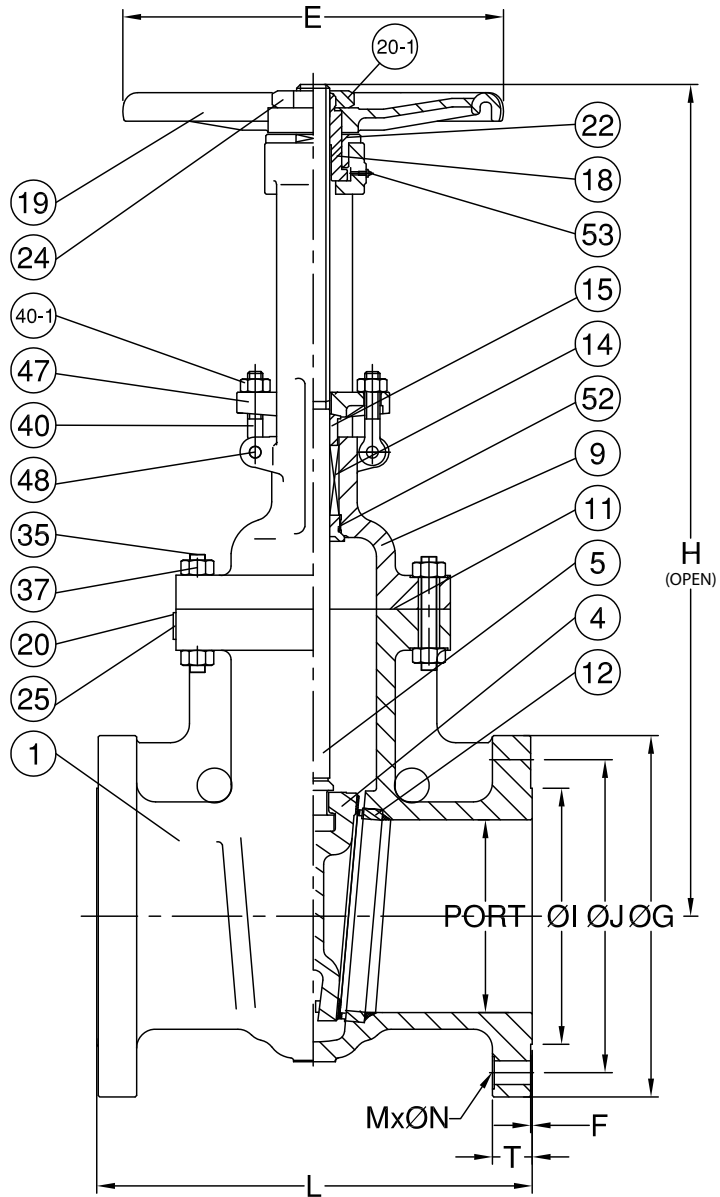
150# Carbon Steel OS&Y Gate Valve

Standard Materials

No.	Part Name	Material
1	Body	ASTM A216 Gr. WCB
4	Disc	ASTM A216 WCB +13%Cr Faced
5	Stem	ASTM A182 Gr. F6
9	Bonnet	ASTM A216 Gr. WCB
11	Gasket	304+Graphite, Spiral Wound
12	Seat Ring	ASTM A105 + STL#6 Faced
14	Stem Packing	Braided Graphite +Die Formed Graphite Ring
15	Gland	ASTM A276 Type 410
18	Yoke Sleeve	ASTM A439 Gr. D2
19	Hand Wheel	Malleable Iron
20	Rivet	SS304
20-1	Screw	Carbon Steel
22	Stem Retainer Nut	Carbon Steel
24	Hand Wheel Nut	Carbon Steel
25	Name Plate	SS304
35	Bonnet Bolt	ASTM A193 Gr. B7
37	Bonnet Bolt Nut	ASTM A194 Gr. 2H
40	Gland Bolt	ASTM A193 Gr. B7
40-1	Gland Nut	ASTM A194 Gr. 2H
47	Gland Flange	ASTM A216 Gr. WCB
48	Gland Bolt Pin	ASTM A216 Gr. WCB
52	Back Seat	ASTM A276 Type 410
53	Grease Fitting	Carbon Steel

NOTES:

- 14" and larger valves have 2-piece yoke and bonnet
- 16" and larger valves include a gear operator
- Design per API 600
- Pressure/Temperature Rating per ANSI B16.34
- Flange Dimensions per ANSI B16.5
- Face to Face Dimensions per ANSI B16.10
- Pressure Tested per API 598



Dimensions (inches) & Weights (lbs)

Size	2	2-1/2	3	4	6	8	10	12	14	16	18	20	24
Port	2.01	2.52	2.99	4.02	5.98	7.99	10.00	12.01	13.27	15.24	17.24	19.25	23.27
L	7.01	7.48	7.99	9.02	10.51	11.50	12.99	14.02	15.00	15.98	17.01	17.99	20.00
H	15.20	17.13	19.02	23.11	30.20	37.60	45.12	52.28	59.80	67.76	74.80	83.31	97.64
ØE	7.87	7.87	9.84	9.84	11.81	13.78	15.75	17.72	19.68	22.05	25.20	25.20	28.35
Flange Dimensions	F	0.06	0.06	0.06	0.06	0.06	0.06	0.06	0.06	0.06	0.06	0.06	0.06
	ØG	5.98	7.01	7.48	9.02	10.98	13.50	15.98	19.02	20.98	23.50	25.00	27.52
	ØI	3.62	4.13	5.00	6.18	8.50	10.63	12.76	15.00	16.26	18.50	20.98	22.99
	ØJ	4.74	5.49	6.00	7.50	9.51	11.75	14.25	17.01	18.74	21.26	22.76	25.00
	T	0.75	0.89	0.94	0.94	1.02	1.14	1.22	1.26	1.38	1.46	1.57	1.69
	M	4	4	4	8	8	8	12	12	12	16	16	20
	ØN	0.75	0.75	0.75	0.75	0.87	0.87	0.98	0.98	1.14	1.14	1.26	1.26
Wt. (lbs.)	40	57	68	104	181	254	419	538	849	1,213	1,455	1,786	2,756