

Figure 472A

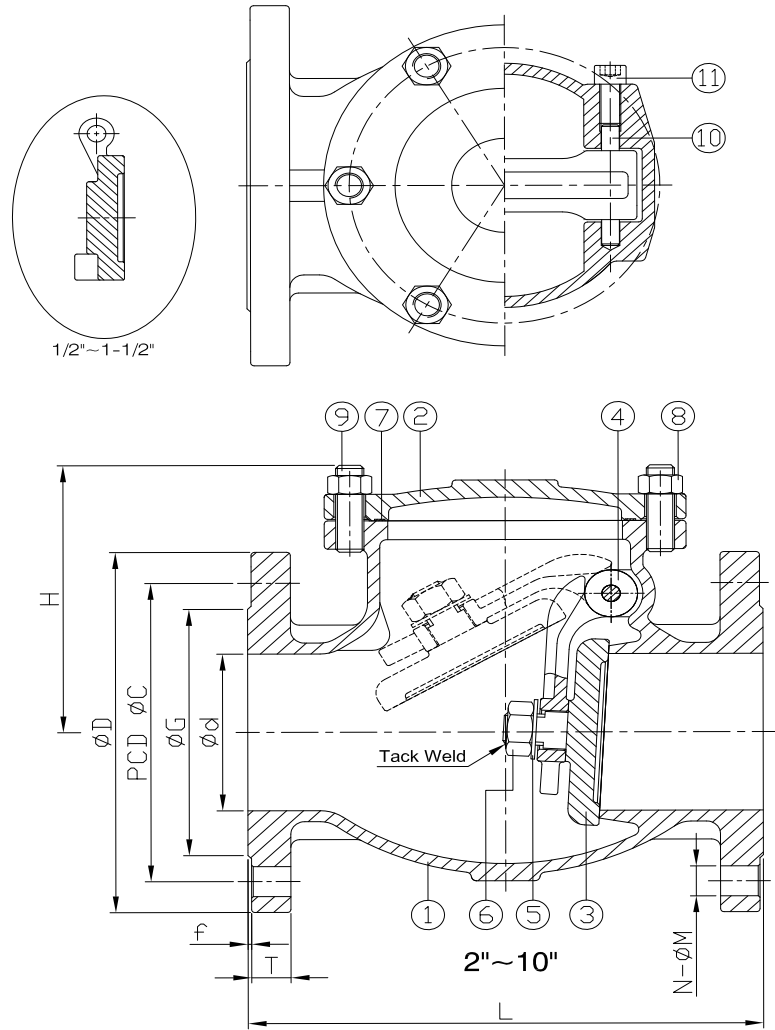
300# Stainless Steel Swing Check Valve

Standard Materials

| No. | Part Name | Material |
|-----|----------------------|----------------|
| 1 | Body | ASTM A351-CF8M |
| 2 | Bonnet | |
| 3 | Disc | |
| 4 | Hinge | |
| 5 | Flat Washer | AISI 316 |
| 6 | Nut | |
| 7 | Body Seal | PTFE |
| 8 | Nut | ASTM A194-8 |
| 9 | Stud | ASTM A193-B8 |
| 10 | Pin | AISI 316 |
| 11 | Socket Hexagon Screw | |

NOTES:

- CF8M Seat is Integral to Body
- Investment Cast Body up to 8"
- Design per API 603
- Pressure/Temperature Rating per ANSI B16.34
- Flange Dimensions per ANSI B16.5
- Face to Face Dimensions per ANSI B16.10
- Pressure Tested per API 598



Dimensions (inches) & Weights (lbs)

| Size | 2 | 3 | 4 | 6 | |
|-------------------|-------|-------|-------|-------|-------|
| d | 1.97 | 3.15 | 3.94 | 5.91 | |
| L | 10.51 | 12.52 | 14.02 | 17.48 | |
| H | 5.08 | 6.46 | 6.97 | 9.09 | |
| Flange Dimensions | f | 0.08 | 0.08 | 0.08 | |
| | D | 6.50 | 8.27 | 10.04 | 12.60 |
| | G | 3.63 | 5.00 | 6.19 | 8.50 |
| | C | 5.00 | 6.63 | 7.87 | 10.63 |
| | T | 0.81 | 1.06 | 1.19 | 1.38 |
| | N | 8.00 | 8.00 | 8.00 | 12.00 |
| | M | 0.75 | 0.88 | 0.88 | 0.88 |
| Wt. (lbs.) | 31.5 | 55.8 | 101.4 | 177.9 | |