

Figure 471A

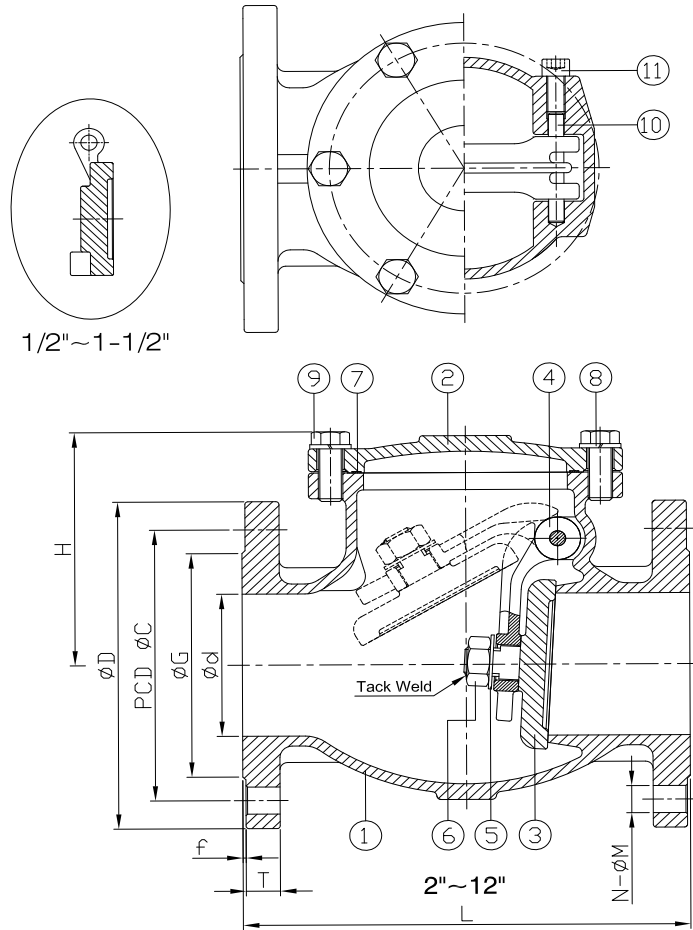
150# Stainless Steel Swing Check Valve

Standard Materials

No.	Part Name	Material
1	Body	ASTM A351-CF8M
2	Bonnet	
3	Disc	
4	Hinge	
5	Flat Washer	AISI 316
6	Nut	
7	Body Seal	PTFE
8	Spring Washer	AISI 304
9	Bolt	
10	Pin	AISI 316
11	Socket Hexagon Screw	

NOTES:

- CF8M Seat is Integral to Body
- Investment Cast Body up to 8"
- Design per API 603
- Pressure/Temperature Rating per ANSI B16.34
- Flange Dimensions per ANSI B16.5
- Face to Face Dimensions per ANSI B16.10
- Pressure Tested per API 598



Dimensions (inches) & Weights (lbs)

Size	1-1/2	2	2-1/2	3	4	6	8	10	12
d	1.57	1.97	2.56	3.15	3.94	5.91	7.87	9.84	11.81
L	6.50	7.99	8.50	9.49	11.50	14.02	19.49	24.49	27.48
H	3.11	3.88	4.55	5.79	6.57	8.15	9.33	13.78	13.56
Flange Dimensions	f	0.08	0.08	0.08	0.08	0.08	0.08	0.08	0.08
	D	4.92	5.91	7.09	7.48	9.06	11.02	13.58	15.94
	G	2.87	3.63	4.13	5.00	6.19	8.50	10.63	12.75
	C	3.87	4.75	5.50	6.00	7.50	9.50	11.75	14.25
	T	0.56	0.56	0.63	0.69	0.88	0.94	1.06	1.13
	N	4.00	4.00	4.00	4.00	8.00	8.00	8.00	12.00
M	0.63	0.75	0.75	0.75	0.88	0.94	0.88	1.00	
Wt. (lbs.)	10.4	17.2	25.6	35.9	62.4	103.6	167.6	295.9	430.8