

Figure 462A

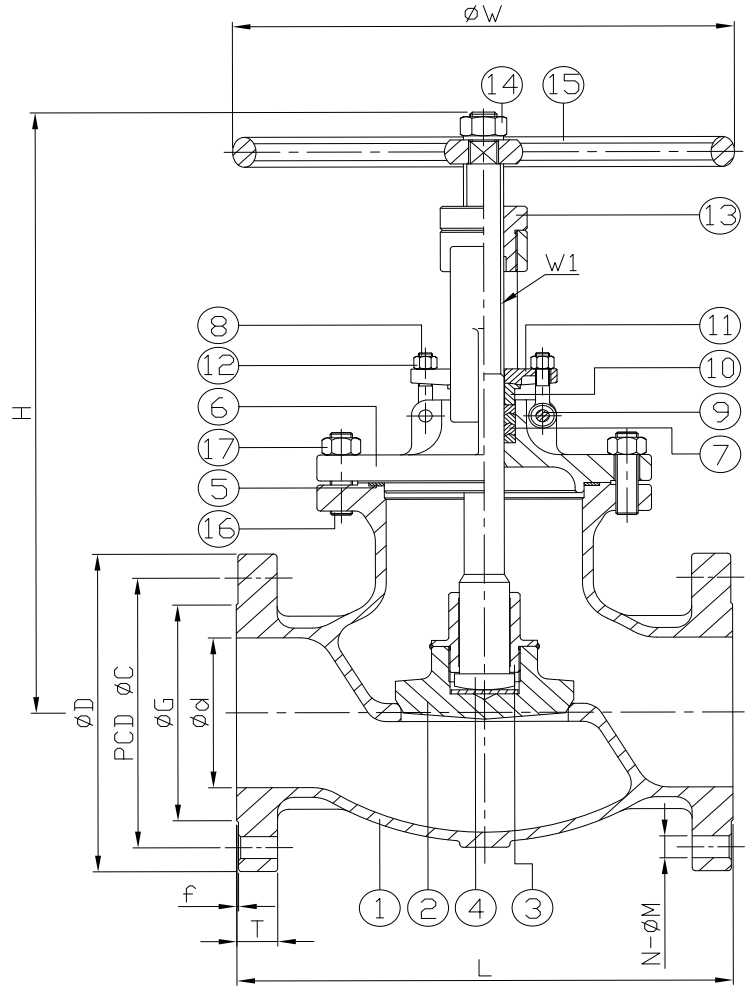
# 300# Stainless Steel Globe Valve

## Standard Materials

No.	Part Name	Material
1	Body	ASTM A351-CF8M
2	Disc	
3	Disc Cover	
4	Stem	ASTM A276-316
5	Gasket	PTFE
6	Bonnet	ASTM A351-CF8M
7	Packing	PTFE
8	Gland Bolt	ASTM A193-B8
9	Hinge Pin	AISI 304
10	Gland Ring	
11	Gland Flange	ASTM A351-CF8M
12	Nut	ASTM A194-8
13	Yoke Sleeve	BRASS
14	Nut	AISI 304
15	Hand Wheel	ASTM A536 Gr.60-40-18
16	Stud	ASTM A193-B8
17	Nut	ASTM A194-8

**NOTES:**

- CF8M Seat is Integral to Body
- Investment Cast Body up to 8"
- Design per API 603
- Pressure/Temperature Rating per ANSI B16.34
- Flange Dimensions per ANSI B16.5
- Face to Face Dimensions per ANSI B16.10
- Pressure Tested per API 598



## Dimensions (inches) & Weights (lbs)

Size	2	2-1/2	3	4	6	8
d	1.97	2.56	3.15	3.94	5.91	7.87
L	10.51	11.50	12.52	14.02	17.48	22.01
H	12.91	13.90	14.41	17.44	23.86	28.23
W	9.84	9.84	11.81	12.60	17.72	19.69
Flange Dimensions	f	0.08	0.08	0.08	0.08	0.08
	D	6.50	7.48	8.27	10.04	12.60
	G	3.63	4.13	5.00	6.19	8.50
	C	5.00	5.87	6.63	7.87	10.63
	T	0.89	1.02	1.14	1.27	1.46
	N	8.00	8.00	8.00	8.00	12.00
	M	0.75	0.88	0.88	0.88	0.88
Wt. (lbs.)	48.1	63.7	81.6	125.0	242.1	410.1