

HIGH CAPACITY WATER SERVICE IN-LINE CHECK VALVE w/PRESS ENDS

The FNW figure 431 press check valve for water service is suggested for all applications where labor and time savings is a must. The figure 431 allows quick installation on copper pipelines meeting ASTM B88 standards. The structure of the valve, made in dezincification resistant brass, guarantees excellent corrosion resistance particularly in the connection areas of the pipeline. Drip Fit o-rings ensure that an end connection will drip, indicating an end was not pressed.

Features:

- 200 PSI Max. Working Pressure
- Temperature Range from 10°F to 250°F
- Press Ends
- High Capacity
- True 2-Piece Design
- Drip Fit O-rings
- No Soldered-In End Pieces
- Low 1/2 PSI Cracking Pressure
- Patented Obstructor Guide Prevents Side Loading
- Flow Profile Designed to Minimize Head Loss
- Spring Loaded Soft Seat for Bubble Tight Shutoff
- Forged Brass Body
- Sizes 1/2" to 2"
- 100% DZR Brass offering greater protection against corrosion and cracking



Drip Fit O-rings



The Drip Fit o-rings ensure that an unpressed end will drip. This is an added safety feature to ensure unpressed ends are discovered and corrected.

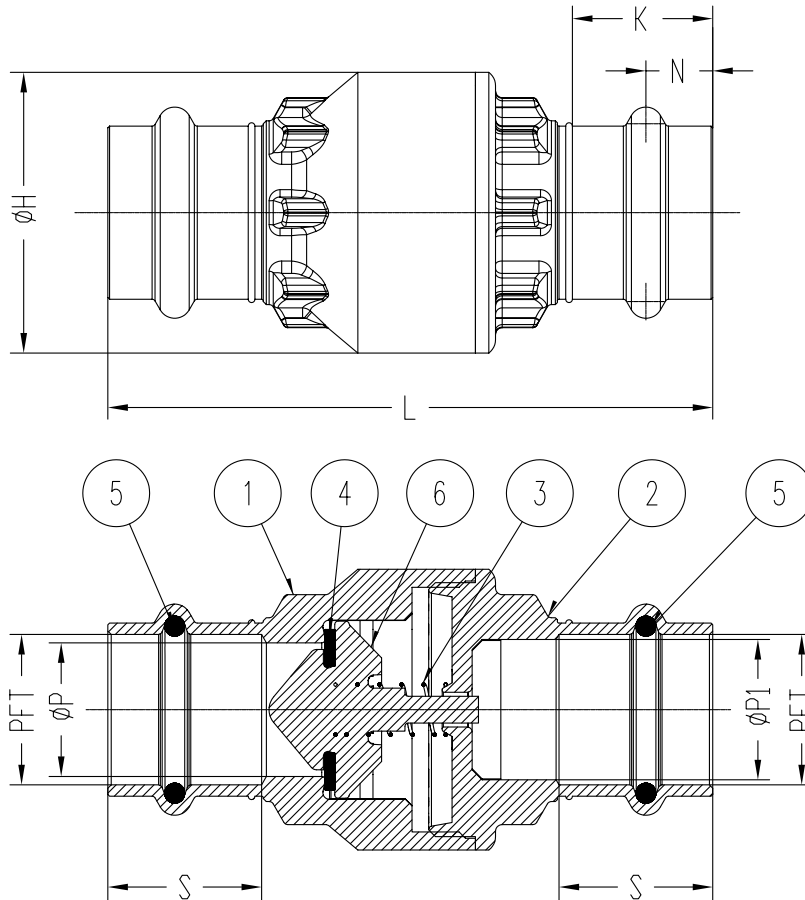
Figure Number Matrix

FNW 431 Size
SIZE CODE
1/2 = D
3/4 = F
1 = G
1-1/4 = H
1-1/2 = J
2 = K

Cv & Weights

Size	Cv	Wt. (Lbs)
1/2	6.01	0.34
3/4	10.87	0.56
1	16.76	0.85
1-1/4	27.17	1.19
1-1/2	38.73	1.92
2	60.11	2.86

HIGH CAPACITY WATER SERVICE IN-LINE CHECK VALVE w/PRESS ENDS



Dimensions (Inches)

Size	ØP	ØP1	S	K	N	ØH	L
1/2	0.59	0.59	0.71	0.67	0.31	1.36	2.99
3/4	0.79	0.83	0.91	0.83	0.39	1.65	3.56
1	0.98	1.07	0.94	0.83	0.39	1.93	3.94
1-1/4	1.26	1.34	1.02	0.83	0.39	2.40	4.09
1-1/2	1.57	1.57	1.42	1.02	0.49	2.87	4.98
2	1.97	1.97	1.57	1.20	0.59	3.46	5.61

Standard Materials

Ref. No.	Description	Material	Qty
1	Body	Brass CW 602N UNI EN 12165	1
2	End Connection	Brass CW 602N UNI EN 12165	1
3	Spring	Stainless Steel AISI 302	1
4	Gasket Ring	NBR	1
5	O-Ring	EPDM	2
6	Obstructor	Polyetherimide	1

DOC: FNW431V07 Ver. 06/2016

© 2016 - FNW. All rights reserved.

The FNW logo is a registered trademark of Ferguson Enterprises, Inc., PL Sourcing, PO Box 2778, Newport News, VA 23609

The contents of this publication are presented for information purposes only, and while effort has been made to ensure their accuracy, they are not to be construed as warranties or guarantees, expressed or implied, regarding the products or services described herein or their use or applicability. All sales are governed by our terms and conditions, which are available on request. We reserve the right to modify or improve the designs or specifications of our products at any time without notice. Always verify that you have the most recent product specifications or other documentation prior to the installation of these products.