

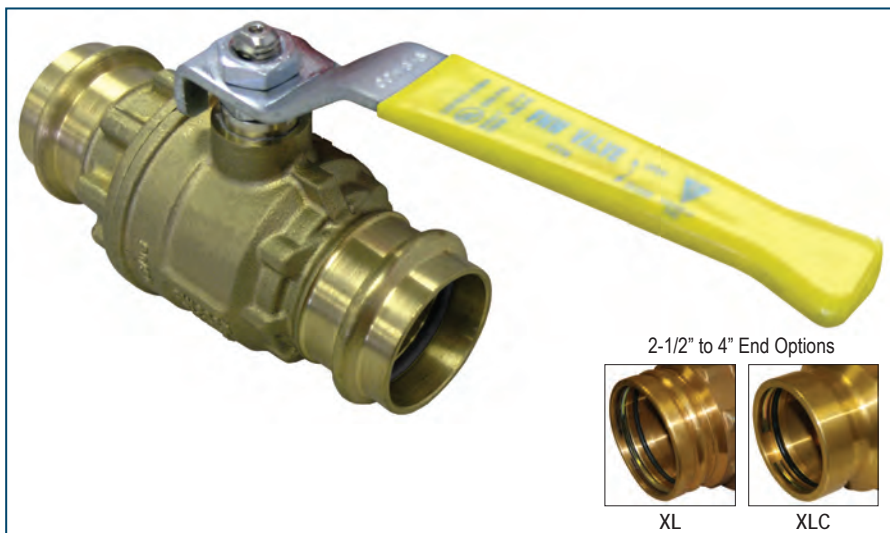
2 PC FULL PORT WATER SERVICE VALVE w/PRESS ENDS

The FNW figure 430 press valve for water service is suggested for all applications where labor and time savings is a must. The figure 430 valve allows quick installation on copper pipelines meeting ASTM B88 standards. The structure of the valve, made in dezincification resistant brass, guarantees excellent corrosion resistance particularly in the connection areas of the pipeline.

Features:

- 200 PSI Max. Working Pressure
- 250°F Max. Temperature at Max. Pressure
- Full Port
- Press Ends
- Conforms to MSS SP-110 ¹
- NSF-61, FM, and UL Approved (up to 2")
- True 2-Piece Design
- No Soldered-In End Pieces
- Blow-out Proof Stem
- Adjustable Packing
- Secondary O-Ring Stem Seal
- Forged Brass Body & End Cap
- 100% Electronically Tested in Open and Closed Position at 80 PSI
- Uses The Same Handle Accessories As The Figure 420 Ball Valve
- Sizes 1/2" to 4" ²
- 2-1/2" to 4" Available in XL ³ or XLC ⁴ End Connections

- 1 The current specification SP-110-1996 does not address the new technology of press end connections. Other than this exception, the valve meets the design criteria of the specification.
- 2 The FNW large body figure 430 press valves (2-1/2" to 4") are available in two distinct end types, XL and XLC which are for installation using crimp tools equipped with matching XL or XLC jaw sets.
- 3 4" XL valves are for copper pipe or copper fittings only and should not be used on brass fittings or adapters.
- 4 All XLC valves are for copper pipe or copper XLC fittings only and should not be used on brass fittings or adapters.



OPTIONS



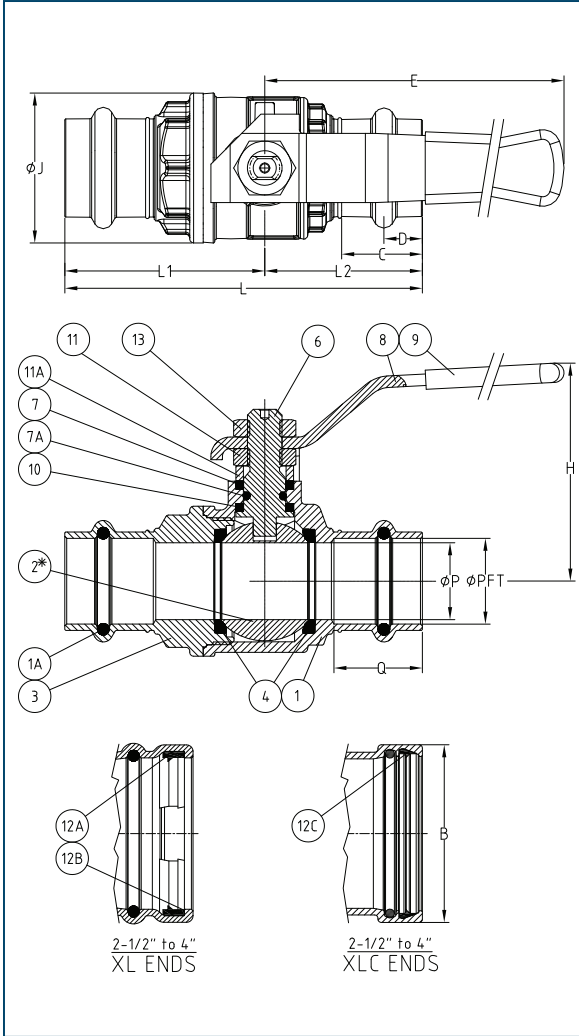
Figure Number Matrix

FNW 430 <u>End Size</u>			
<u>END TYPES</u>		<u>SIZE CODE</u>	
BLANK = 1/2" to 2" ONLY	1/2 = D	1-1/4 = H	2-1/2 = L
XL = 2-1/2" to 4" ONLY	3/4 = F	1-1/2 = J	3 = M
XLC = 2-1/2" to 4" ONLY	1 = G	2 = K	4 = P

Kit Codes (Order Separately)		
<u>LOCKING LEVER</u>	<u>EXTENSIONS</u>	<u>MEMORY STOPS</u>
1/2 = FNW420LHKBD	1/2 = FNW420SEBD	1/2 = FNW420MSKBD
3/4 - 1 = FNW420LHKFG	3/4 - 1 = FNW420SEFG	3/4 - 1 = FNW420MSKFG
1-1/4 - 1-1/2 = FNW420LHKHJ	1-1/4 - 1-1/2 = FNW420SEHJ	1-1/4 - 1-1/2 = FNW420MSKHJ
2 = FNW420LHKK	2 = FNW420SEK	2 = FNW420MSKK
<u>TEE HANDLES</u>	<u>OVAL HANDLES</u>	
1/2 = FNW420THKBD	1/2 = FNW420OHKBCD	
3/4 - 1 = FNW420THKFG	3/4 - 1 = FNW420OHKFG	
	1-1/4 - 1-1/2 = FNW420OHKHJ	
	2 = FNW420OHKK	

2 PC FULL PORT WATER SERVICE VALVE w/PRESS ENDS

Standard Materials



Ref. No.	Description	Material	Qty
1	Body	Brass CW 602N UNI EN 12165	1
1A	O-Ring	EPDM (EP851)	2
2*	Ball (1/2"-2")	Brass CW 617N UNI EN 12165 (Nickel-Chrome Plated)	1
	Ball (2-1/2"-4")	Brass CB 753-S UNI EN 1982 (Nickel-Chrome Plated)	
3	End Cap	Brass CW 602N UNI EN 12165	1
4	Seat	PTFE	2
6	Stem	Brass CW 614N UNI EN 12164	1
7	Stem Packing	PTFE	1
7A	Stem O-ring	NBR	1
8	Handle	Steel Fe DD11 UNI EN 10111	1
9	Handle Cover	Vinyl	1
10	Thrust Washer	PTFE	1
11	Gland Nut	Steel, Class 4 ZP	1
11A	Packing Gland	Brass CW 614N UNI EN 12164	1
12A	Circlip	S235JR UNI EN 10025 (XL only)	2
12B	Backer Ring	Steel, Zinc Plated (XL only)	2
12C	Comp. Ring	Steel, Zinc Plated (XLC only)	2
13	Handle Nut	Steel, Class 4 ZP	1

* NOTE: Valve sizes 2-1/2" to 4" utilize a hollow ball

Standard Size Dimensions (Inches)

Size	E	H	ØJ	ØP	ØPFT	C	D	Q	L	L1	L2
1/2	3.86	1.89	1.30	0.59	0.63	0.67	0.31	0.71	3.13	1.71	1.42
3/4	4.80	2.28	1.54	0.79	0.88	0.83	0.39	0.91	3.66	2.05	1.61
1	4.80	2.44	1.93	0.98	1.13	0.83	0.39	0.94	4.13	2.32	1.81
1-1/4	6.02	3.07	2.32	1.26	1.38	0.83	0.39	1.02	4.41	2.44	1.97
1-1/2	6.02	3.35	2.87	1.57	1.63	1.02	0.49	1.42	5.63	2.91	2.72
2	6.38	3.80	3.39	1.95	2.13	1.18	0.57	1.57	6.48	3.39	3.09

Extended Size Dimensions (Inches)

Size	E	H	ØJ	ØP	ØPFT	XL Ends						XLC Ends					
						C	D	Q	L	L1	L2	ØB	Q	L	L1	L2	
2-1/2	8.07	5.08	4.37	2.40	2.50	1.54	1.08	2.17	8.33	4.43	3.90	3.15	1.65	7.30	3.94	3.39	
3	8.07	5.51	5.35	2.87	3.00	1.54	1.08	2.17	9.07	4.82	4.25	3.66	1.91	8.60	4.63	4.00	
4	10.24	6.30	6.54	3.82	4.00	1.54	1.08	2.56	10.63	5.51	5.12	4.69	2.42	10.36	5.30	4.98	

DOC: FNW43008 Ver. 7/2009

© 2009 - FNW. All rights reserved.

The FNW logo is a registered trademark of Ferguson Enterprises, Inc.

The contents of this publication are presented for information purposes only, and while effort has been made to ensure their accuracy, they are not to be construed as warranties or guarantees, expressed or implied, regarding the products or services described herein or their use or applicability. All sales are governed by our terms and conditions, which are available on request. We reserve the right to modify or improve the designs or specifications of our products at any time without notice. Always verify that you have the most recent product specifications or other documentation prior to the installation of these products.

Cv & Weights

Size	1/2	3/4	1	1-1/4	1-1/2	2	2-1/2	3	4
Cv	18	34	49	102	265	306	624	1001	1606
Wt. (Lbs)	0.49	0.86	1.23	2.34	3.48	4.61	-	-	-
	-	-	-	-	-	-	10.87	15.56	24.54
	-	-	-	-	-	-	9.04	14.55	22.99