

BRASS NEEDLE VALVE

FEATURES

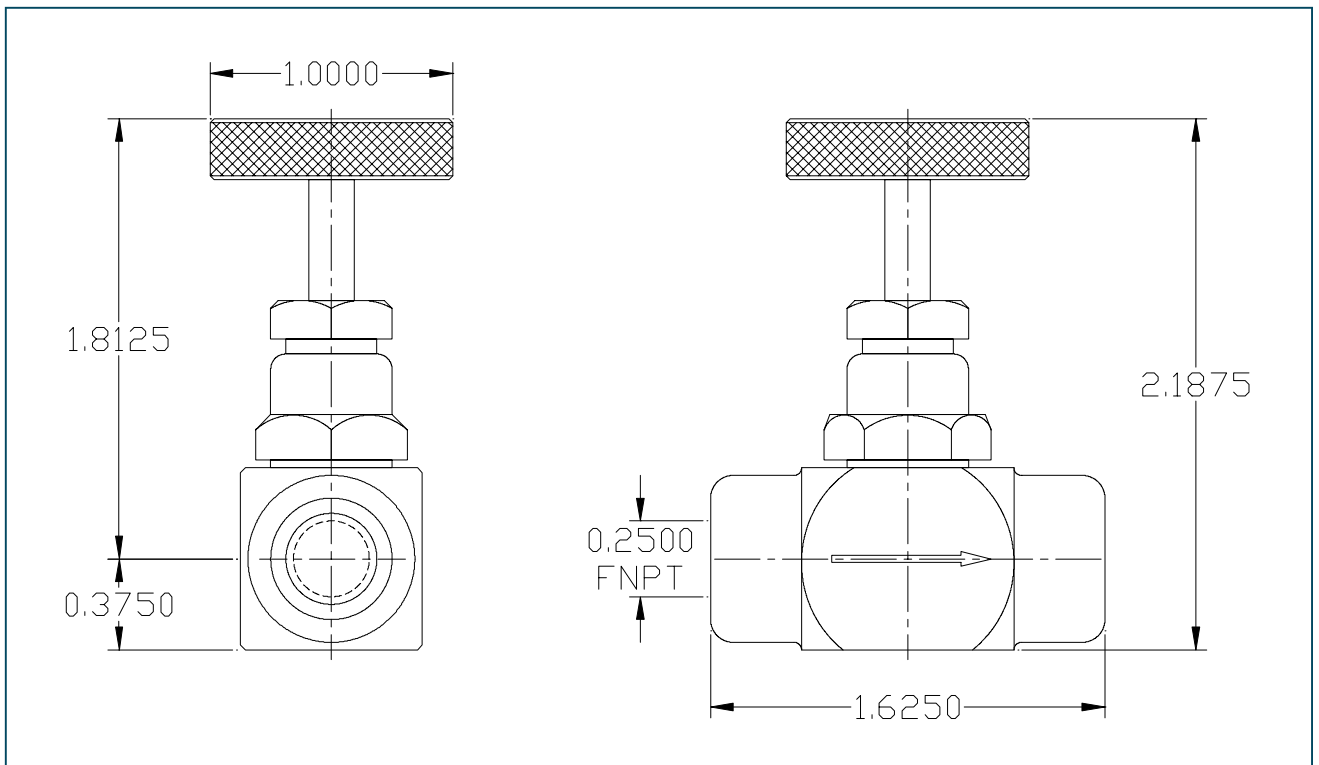
The FNWBNVB brass needle valve is utilized for fine flow control and for controlling severe line pulsations in water, oil, and gas service. Features include:

- 1/4" x 1/4" Female NPT Connection
- Brass Bar Stock Body
- Rated to 600PSI @ 300°F
- Brass Seat (Integral to Body)
- PTFE Packing



SPECIFICATIONS

Part Number	Connection Type	Maximum Pressure	Maximum Temperature
FNWBNVB	1/4" x 1/4" FNPT	600 PSI	300°F





GAUGE ACCESSORIES

DOC: FNWBNVB05 Ver. 1/09

© 2009 - FNW. All rights reserved.
The FNW logo is a registered trademark of Ferguson Enterprises, Inc.

The contents of this publication are presented for information purposes only, and while effort has been made to ensure their accuracy, they are not to be construed as warranties or guarantees, expressed or implied, regarding the products or services described herein or their use or applicability. All sales are governed by our terms and conditions, which are available on request. We reserve the right to modify or improve the designs or specifications of our products at any time without notice. Always verify that you have the most recent product specifications or other documentation prior to the installation of these products.