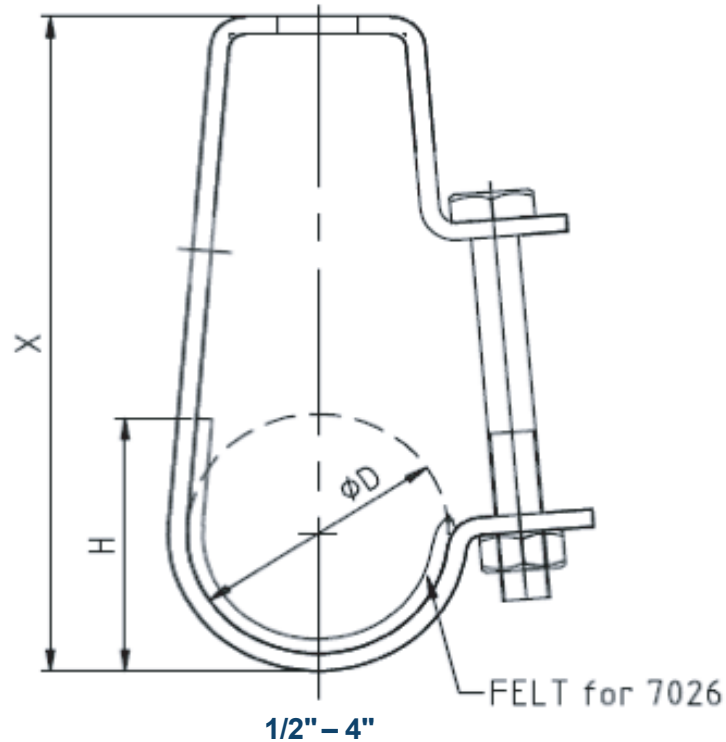


## FELT LINED “J” HANGER

### Features

- Finish: Epoxy plated
- Color: Zinc
- MSS SP-58, Type 5



Catalog Number	Bolt Size	D		H		X		ØD		Design Load	Weight
		(Rod Size)	in.	mm	in.	mm	in.	mm	Lbs.		
FNW7026EP0050	1/4-20UNC x 2-1/4	3/8-16UNC	1.18	30	2.87	73	1.07	27.3	400	0.15	
FNW7026EP0075	1/4-20UNC x 2-1/4	3/8-16UNC	1.1	28	3.46	88	1.29	32.7	400	0.19	
FNW7026EP0100	1/4-20UNC x 2-1/2	3/8-16UNC	1.18	30	3.70	94	1.55	39.4	400	0.20	
FNW7026EP0125	1/4-20UNC x 2-3/4	3/8-16UNC	1.38	35	4.17	106	1.92	48.7	400	0.22	
FNW7026EP0150	1/4-20UNC x 3	3/8-16UNC	1.38	35	4.53	115	1.97	50	400	0.25	
FNW7026EP0200	1/4-20UNC x 3-1/2	3/8-16UNC	1.77	45	5.24	133	2.47	62.8	400	0.25	
FNW7026EP0250	3/8-16UNC x 4-1/2	1/2-13UNC	2.17	55	6.14	156	2.99	76	800	0.54	
FNW7026EP0300	3/8-16UNC x 5	1/2-13UNC	2.68	68	7.00	178	3.74	94.9	800	0.63	
FNW7026EP0400	3/8-16UNC x 6-1/4	5/8-11UNC	2.68	68	8.58	218	4.64	117.8	800	0.91	