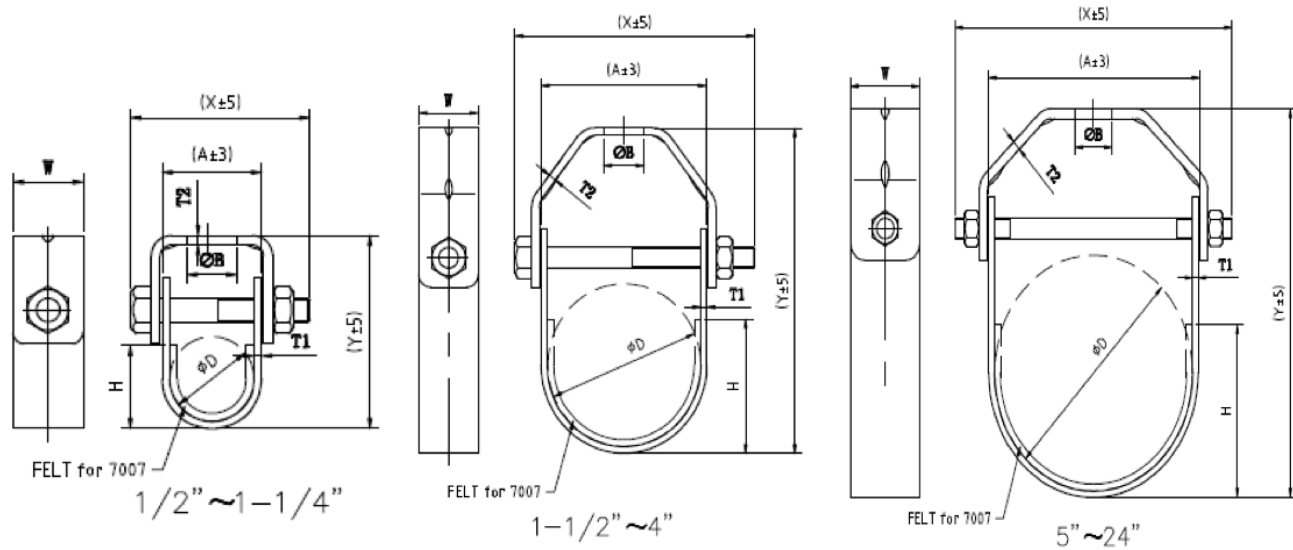


FIGURE 7007 - Felt Lined Clevis Hanger



Finish: EpoxyPlated
 Color: Zinc
 MSS SP-58 Type 1
 Federal Specification WW-H-171

Catalog Number	W	T1	T2	B	H	X	Y	ØD	A	Bolt Size	Design Load
FNW7007EP0050	19	2	2.5	10.5	22	49	51	26.9	31.5	1/4-20UNC	610
FNW7007EP0075	19	2	2.5	10.5	25	55	59.4	32.3	37	1/4-20UNC	610
FNW7007EP0100	19	2	2.5	10.5	33	61.2	69	39	43.5	1/4-20UNC	610
FNW7007EP0125	25	2	2.5	10.5	36	74	85.4	47.2	52	1/4-20UNC	610
FNW7007EP0150	25	2	2.5	10.5	34	80.2	99	53.3	58	1/4-20UNC	610
FNW7007EP0200	25	2	3	10.5	40	93	112.5	65.3	70	1/4-20UNC	610
FNW7007EP0250	30	2.5	3	13.5	47	107	131.7	78	83.5	3/8-16UNC	1130
FNW7007EP0300	30	2.5	3.5	13.5	55	126.1	152.9	94.4	100	3/8-16UNC	1130
FNW7007EP0350	30	2.5	3.5	13.5	70	138.8	167.6	107.1	113	3/8-16UNC	1130
FNW7007EP0400	30	3	5	16.8	67	158	191.8	117.3	124	3/8-16UNC	1430
FNW7007EP0500	30	4	6	16.8	82	213	234.8	144.8	154	1/2-13UNC	1430
FNW7007EP0600	38	5	8	20.5	96	247.5	269.3	172.3	183	1/2-13UNC	1940