

FIGURE 14B-YSS Y-STRAINER



800 PSI CWP STAINLESS STEEL Y-STRAINER

FEATURES

- 800 PSI CWP
- Temperature: -4°F to 356°F
- Investment cast components
- Stainless steel body and screen
- Viton® O-ring seal
- Threaded NPT ends
- 20 mesh screen
- Manufactured silicone free

Manufactured, assembled and tested without the use of silicone bearing compounds or lubricants



STANDARDS

- Pressure test: 80psi air
- Material: ASTM/ASME B16.34
- Connections: ANSI B1.20.1 (NPT)

CV & WEIGHTS

Size	Cv	Wt. (lbs.)
1/2	4.6	0.5
3/4	10.6	0.8
1	19.7	1.6
1-1/4	31.5	1.9
1-1/2	46.4	2.7
2	86.8	4.3

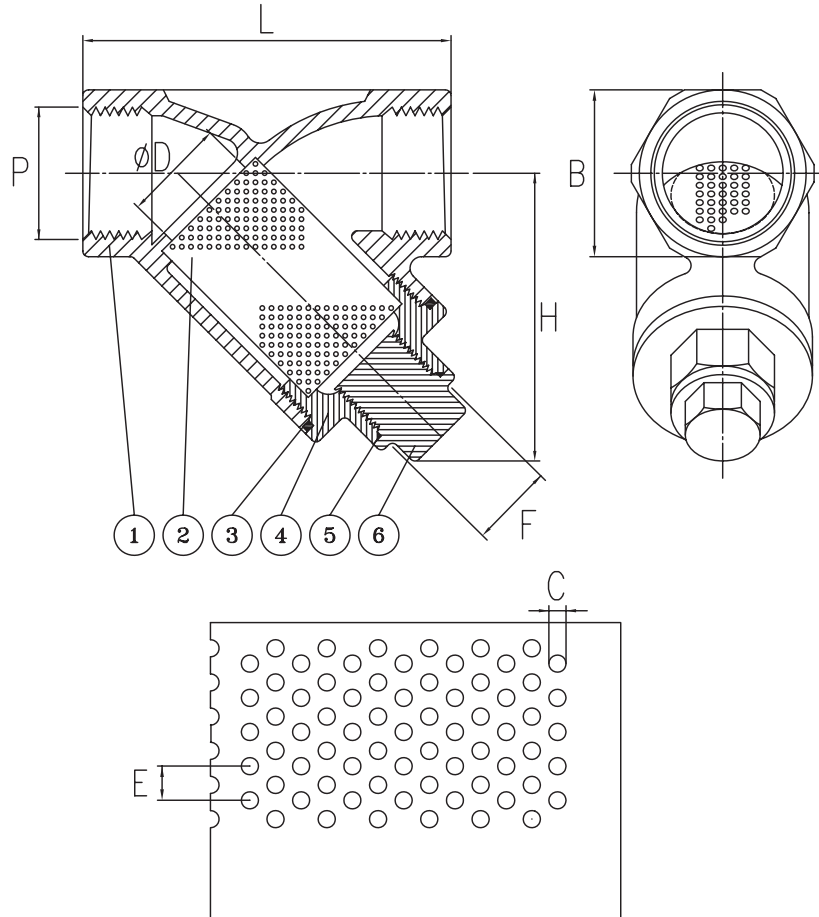
FIGURE NUMBER MATRIX

Size Code – FNW YSS	
1/2	D
3/4	F
1	G
1-1/4	H
1-1/2	J
2	K
Replacement O-rings	
1/2	FNWYSSOD
3/4	FNWYSSOF
1	FNWYSSOG
1-1/4	FNWYSSOH
1-1/2	FNWYSSOJ
2	FNWYSSOK
Replacement Gaskets	
1/2	FNWYSSGD
3/4	FNWYSSGF
1	FNWYSSGG
1-1/4	FNWYSSGH
1-1/2	FNWYSSGJ
2	FNWYSSGK

FIGURE 14B-YSS Y-STRAINER



800 PSI CWP STAINLESS STEEL Y-STRAINER



DIMENSIONS (INCHES)

Size	ØD	L	H	B	C	E	F (NPT)	P (NPT)
1/2	0.59	2.56	1.89	1.02	0.039	0.079	1/4"	1/2"
3/4	0.79	3.15	2.17	1.30	0.039	0.079	1/4"	3/4"
1	0.98	3.54	2.76	1.61	0.039	0.079	1/2"	1"
1-1/4	1.26	4.13	2.91	1.93	0.039	0.079	1/2"	1-1/4"
1-1/2	1.58	4.75	3.23	2.21	0.039	0.079	1/2"	1-1/2"
2	1.97	5.51	3.74	2.72	0.039	0.079	1/2"	2"

STANDARD MATERIALS

Ref. No.	Description	Material	Qty
1	Body	ASTM A351 Gr. CF8M	1
2	Screen	316SS	1
3	Gasket	PTFE	1
4	Bonnet	ASTM A351 Gr. CF8M	1
5	O-ring	Viton®	1
6	Plug	ASTM A351 Gr. CF8M	1