

# FNW 9307

## HYDRANT ADAPTERS



### BRASS DOUBLE MALE NIPPLE

#### FEATURES

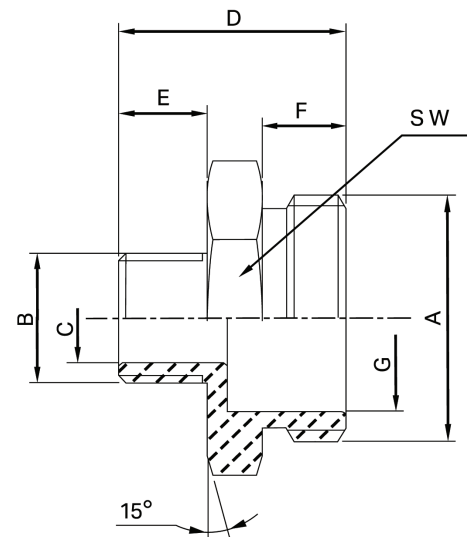
- Used to connect fire hose to a standpipe or sprinkler system.
- Fire Hose Double Male x Male threaded connection.
- Thread seal on Male NPT end and Male NST end.

#### PART MATERIALS & QUANTITY

- Brass C38500 MOD1.

#### PRODUCT SPECIFICATIONS

PRODUCT CODE	DESCRIPTION	WEIGHT
FNW9307JJ	1-1/2 MNPT X 1-1/2 MNST DBL HEX NIP	0.600
FNW9307KJ	2 MNPT X 1-1/2 MNST DBL HEX NIP	1.129
FNW9307KL	2 MNPT X 2-1/2 MNST DBL HEX NIP	1.711
FNW9307LL	2-1/2 MNPT X 2-1/2 MNST DBL HEX NIP	1.678
FNW9307ML	3 FNPT X 2-1/2 MNST HEX NIP	2.549
FNW9307PR	4 MNPT X 4-1/2 MNST DBL HEX NIP	7.319



#### PARTS BREAKDOWN

PRODUCT CODE	A	B	C	D	E	F	G	SW
FNW9307JJ	1-1/2 MNST	1-1/2 FNPT	ø1.50	1.83	0.79	0.67	ø1.50	2.01
FNW9307KJ	1-1/2 MNST	2 MNPT	ø1.90	1.94	0.84	0.67	ø1.51	2.72
FNW9307KL	2-1/2 MNST	2 MNPT	ø1.90	2.27	0.84	1.00	ø2.48	3.31
FNW9307LL	2-1/2 MNST	2-1/2 MNPT	ø2.48	2.65	1.22	1.00	ø2.48	3.31
FNW9307ML	2-1/2 MNST	3 MNPT	ø2.99	2.86	1.34	1.00	ø2.48	3.94
FNW9307PR	4-1/2 MNST	4 MNPT	ø4.01	3.29	1.50	1.27	ø4.51	6.06

Note: Tolerance: Cast Dim.: +/-0.03" Machining Dim.: +/-0.02"