

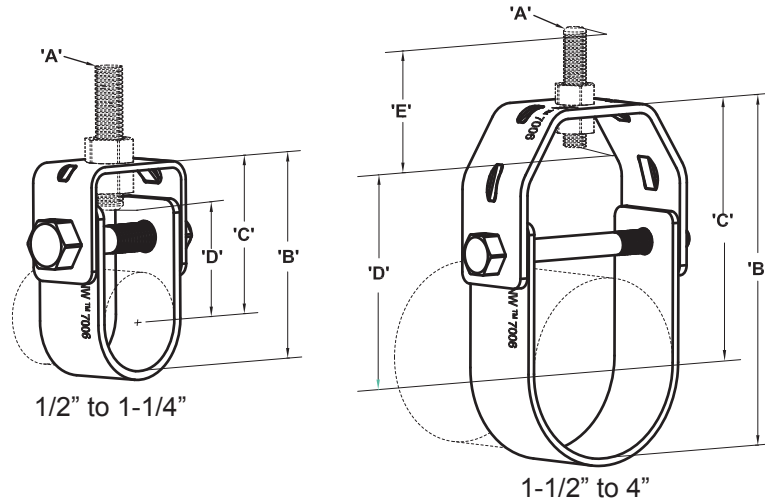
FIGURE 7006E - Light Duty Adjustable Clevis Hangers



UL Approved - Sizes 3/4" to 4"

Finish: Epoxy Plated  
 Color: Zinc  
 MSS SP-58, Type 1  
 Federal Specification WW-H-171, Type 1

- A - Rod size (hanger rod and nuts not included)
- B - Bottom of pipe to top of hanger
- C - Center of pipe to top of hanger
- D - Rod take out (center of pipe to bottom of hanger rod)
- E - Minimum thread length of hanger rod
- F - Adjustment, top of cross bolt to bottom of hanger rod nut inside hanger



Catalog Number	Pipe Size		A (Rod Size)	B		C		D	
	in.	mm		in.	mm	in.	mm	in.	mm
FNW7006EP0050	1/2	21.3	3/8"-16	2	51.20	1-1/2	39.75	1/2	13.05
FNW7006EP0075	3/4	26.7	3/8"-16	2-7/16	61.60	1-7/8	47.45	3/4	20.75
FNW7006EP0100	1	33.4	3/8"-16	2-11/16	68.52	2	51.02	15/16	24.32
FNW7006EP0125	1-1/4	42.12	3/8"-16	3-3/16	83.20	2-3/8	61.10	1-5/16	34.10
FNW7006EP0150	1-1/2	48.3	3/8"-16	3-7/8	98.90	2-7/8	73.75	1-7/8	46.75
FNW7006EP0200	2	60.3	3/8"-16	4-3/8	111.90	3-3/16	80.75	1-15/16	48.75
FNW7006EP0250	2-1/2	73.0	1/2"-13	5-3/16	131.20	3-11/16	93.70	2-5/16	58.80
FNW7006EP0300	3	88.9	1/2"-13	5-7/8	149.40	4-1/16	103.70	2-3/4	68.80
FNW7006EP0400	4	114.3	5/8"-11	7-5/8	194.00	5-5/16	135.35	3-15/16	99.45

Catalog Number	Pipe Size		E		F		Bolt Size	Design Load		Weight
	in.	mm	in.	mm	in.	mm		Lbs.	kN	Lbs.
FNW7006EP0050	1/2	21.3	2-1/2	63.5	7/16	11.1	1/4-20UNC	150	0.67	0.10
FNW7006EP0075	3/4	26.7	2-1/2	63.5	1/2	12.7	1/4-20UNC	150	0.67	0.12
FNW7006EP0100	1	33.4	2-1/2	63.5	5/8	15.9	1/4-20UNC	250	1.11	0.13
FNW7006EP0125	1-1/4	42.2	2-1/2	63.5	7/8	22.2	1/4-20UNC	250	1.11	0.21
FNW7006EP0150	1-1/2	48.3	2-1/2	63.5	1-3/16	30.2	1/4-20UNC	250	1.11	0.23
FNW7006EP0200	2	60.3	2-1/2	63.5	1-5/8	41.3	1/4-20UNC	250	1.11	0.33
FNW7006EP0250	2-1/2	73.0	2-1/2	63.5	2	50.8	3/8-16UNC	350	1.56	0.45
FNW7006EP0300	3	88.9	2-1/2	63.5	2	50.8	3/8-16UNC	350	1.56	0.51
FNW7006EP0400	4	114.3	2-1/2	63.5	2	50.8	3/8-16UNC	400	1.78	0.84