

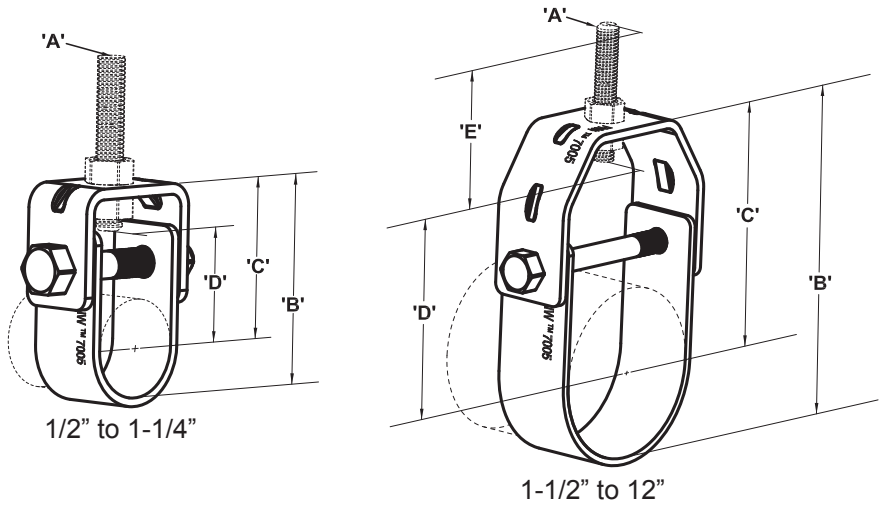
FIGURE 7005E - Standard Duty Adjustable Clevis Hangers



UL/FM Approved - Sizes 2-1/2" to 8"

Finish: Epoxy Plated
 Color: Zinc
 MSS SP-58, Type 1
 Federal Specification WW-H-171, Type
 Hanger body : ASTM A240
 stud , nut : SS304

- A - Rod size (hanger rod and nuts not included)
- B - Bottom of pipe to top of hanger
- C - Center of pipe to top of hanger
- D - Rod take out (center of pipe to bottom of hanger rod)
- E - Minimum thread length of hanger rod
- F - Adjustment, top of cross bolt to bottom of hanger rod nut inside hanger

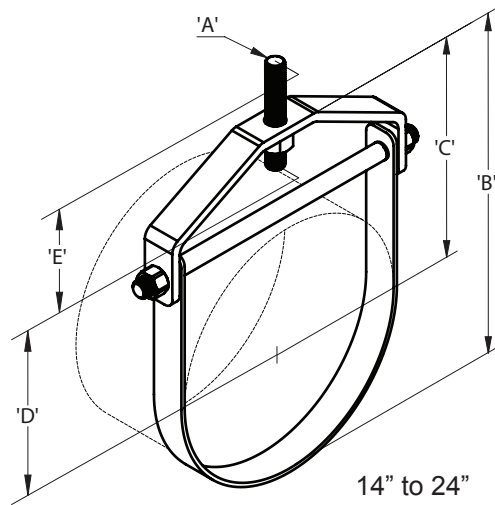


Catalog Number	Pipe Size		A (Rod Size)	B		C		D	
	in.	mm		in.	mm	in.	mm	in.	mm
FNW7005EP0050	1/2	21.3	3/8"-16	2	50	1-1/2	39	3/8	9.5
FNW7005EP0075	3/4	26.7	3/8"-16	2-2/7	58	1-3/4	44	5/8	15.3
FNW7005EP0100	1	33.4	3/8"-16	2-2/3	68	2	51	7/8	22.5
FNW7005EP0125	1-1/4	42.2	3/8"-16	3-1/3	84	2-4/9	62	1-1/4	31.90
FNW7005EP0150	1-1/2	48.3	3/8"-16	3-6/7	98	2-7/8	73	1-3/4	44.9
FNW7005EP0200	2	60.3	3/8"-16	4-2/5	112	3-1/5	81	1-15/16	49.4
FNW7005EP0250	2-1/2	73.0	1/2"-13	5-1/8	130	3-2/3	93	2-5/16	57.9
FNW7005EP0300	3	88.9	1/2"-13	6	151	4-1/7	105	2-3/4	69.2
FNW7005EP0350	3-1/2	101.6	1/2"-13	6-1/2	166	4-1/2	114	3-1/16	78.2
FNW7005EP0400	4	114.3	5/8"-11	7-1/2	190	5-1/6	131	3-11/16	93.6
FNW7005EP0500	5	141.3	5/8"-11	9-1/5	234	6-3/8	162	4-5/8	117.0
FNW7005EP0600	6	168.3	3/4"-10	10-1/2	267	7-1/8	181	5-5/16	134.8
FNW7005EP0800	8	219.1	3/4"-10	13	328	8-1/2	216	6-1/2	164.7
FNW7005EP1000	10	273.1	7/8"-9	15-1/2	394	10	254	7-5/8	194.2
FNW7005EP1200	12	323.9	7/8"-9	18-5/8	473	12-1/8	308	9-3/4	247.6

Catalog Number	Pipe Size		E		F		Bolt Size	Design Load		Weight
	in.	mm	in.	mm	in.	mm		Lbs.	kN	
FNW7005EP0050	1/2	21.3	2-1/2	63.5	7/16	11.1	1/4-20UNC	610	2.71	0.12
FNW7005EP0075	3/4	26.7	2-1/2	63.5	1/2	12.7	1/4-20UNC	610	2.71	0.14
FNW7005EP0100	1	33.4	2-1/2	63.5	5/8	15.9	1/4-20UNC	610	2.71	0.16
FNW7005EP0125	1-1/4	42.2	2-1/2	63.5	7/8	22.2	1/4-20UNC	610	2.71	0.24
FNW7005EP0150	1-1/2	48.3	2-1/2	63.5	1-3/16	30.2	1/4-20UNC	610	2.71	0.25
FNW7005EP0200	2	60.3	2-1/2	63.5	1-5/8	41.3	1/4-20UNC	610	2.71	0.35
FNW7005EP0250	2-1/2	73.0	2-1/2	63.5	2	50.8	3/8-16UNC	1130	5.02	0.61
FNW7005EP0300	3	88.9	2-1/2	63.5	2	50.8	3/8-16UNC	1130	5.02	0.71
FNW7005EP0350	3-1/2	101.6	2-1/2	63.5	2	50.8	3/8-16UNC	1130	5.02	0.79
FNW7005EP0400	4	114.3	2-1/2	63.5	2	50.8	3/8-16UNC	1430	6.36	1.00
FNW7005EP0500	5	141.3	2-1/2	63.5	2	50.8	1/2-13UNC	1430	6.36	1.67
FNW7005EP0600	6	168.3	3	76.2	2	50.8	1/2-13UNC	1940	8.62	3.05
FNW7005EP0800	8	219.1	3-1/2	88.9	2-5/16	58.7	5/8-11UNC	2000	8.89	4.11
FNW7005EP1000	10	273.1	3-1/2	88.9	2-5/16	58.7	3/4-10UNC	3600	16.00	6.75
FNW7005EP1200	12	323.9	3-1/2	88.9	2-5/16	66.7	3/4-10UNC	3800	16.89	7.88

FIGURE 7005E - Standard Duty Large Diameter Adjustable Clevis Hangers

Finish: Epoxy Plated
 Color: Zinc
 MSS SP-58, Type 1
 Federal Specification WW-H-171, Type 1



- A - Rod size (hanger rod and nut not included)
- B - Bottom of pipe to top of hanger
- C - Center of pipe to top of hanger
- D - Rod take out (center of pipe to bottom of hanger rod)
- E - Minimum thread length of hanger rod
- F - Adjustment, top of cross bolt to bottom of hanger rod nut inside hanger

Catalog Number	Pipe Size		A (Rod Size)	B		C		D	
	in.	mm		in.	mm	in.	mm	in.	mm
FNW7005EP1400	14	355.6	1"-8	21-1/6	537.5	13-5/8	347.2	11-3/16	281.6
FNW7005EP1600	16	406.4	1"-8	23-1/2	596.5	14-3/4	380.8	12-7/8	327.0
FNW7005EP1800	18	457.2	1"-8	27	683.5	17-3/8	442.4	13-15/16	354.0
FNW7005EP2000	20	508.0	1-1/4"-7	29-2/3	754.0	19	486.0	17-7/16	442.9
FNW7005EP2400	24	609.6	1-1/4"-7	33-7/9	858.0	21-1/8	539.2	20"	485.5

Catalog Number	Pipe Size		E		F		Bolt Size	Design Load		Weight
	in.	mm	in.	mm	in.	mm		Lbs.	kN	Lbs.
FNW7005EP1400	14	355.6	4	101.6	2-7/8	73.0	1-8UNC	4200	18.67	18.15
FNW7005EP1600	16	406.4	4	101.6	3-3/8	85.7	1-8UNC	4600	20.44	23.84
FNW7005EP1800	18	457.2	4-1/2	114.3	3-3/8	85.7	1-8UNC	4800	21.33	26.79
FNW7005EP2000	20	508.0	5	127.0	4-13/16	122.2	1-1/4-7UNC	4800	21.33	43.53
FNW7005EP2400	24	609.6	5	127.0	5-1/4	133.3	1-1/4-7UNC	4800	21.33	50.39