

2 PC STANDARD PORT 400 WOG BALL VALVE w/COMPRESSION ENDS & DRAIN

Features:

- 400 WOG
- 150 WSP (to 366°F)
- Compression Ends
- Standard Port
- PTFE Seats
- Forged Body & End Cap
- Blow-out Proof Stem
- Adjustable Packing
- Drain with Cap & Gasket
- Optional Lock Lever Kit
- Optional Stem Extension Kit
- Optional Tee Handle Kit
- Optional Oval Handle Kit
- Optional Memory Stop Kit

**NOT FOR USE AT OR BELOW
GROUND LEVEL**



With a body and end cap constructed of forged brass and bronze compression nuts, the FNW figure 480A ball valve can be used for liquids in many applications and includes saturated steam service to 150 PSI (366°F). The compression ends reduce installation time and eliminate possible seat damage compared to solder end valves. They are equally easy to un-install for repair or replacement purposes.

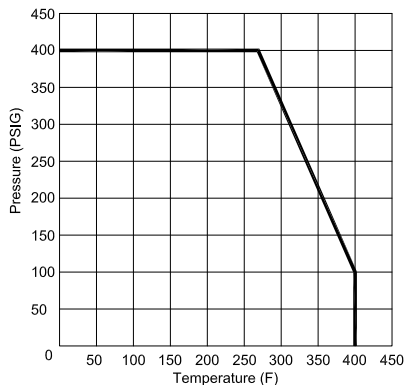


Figure Number Matrix

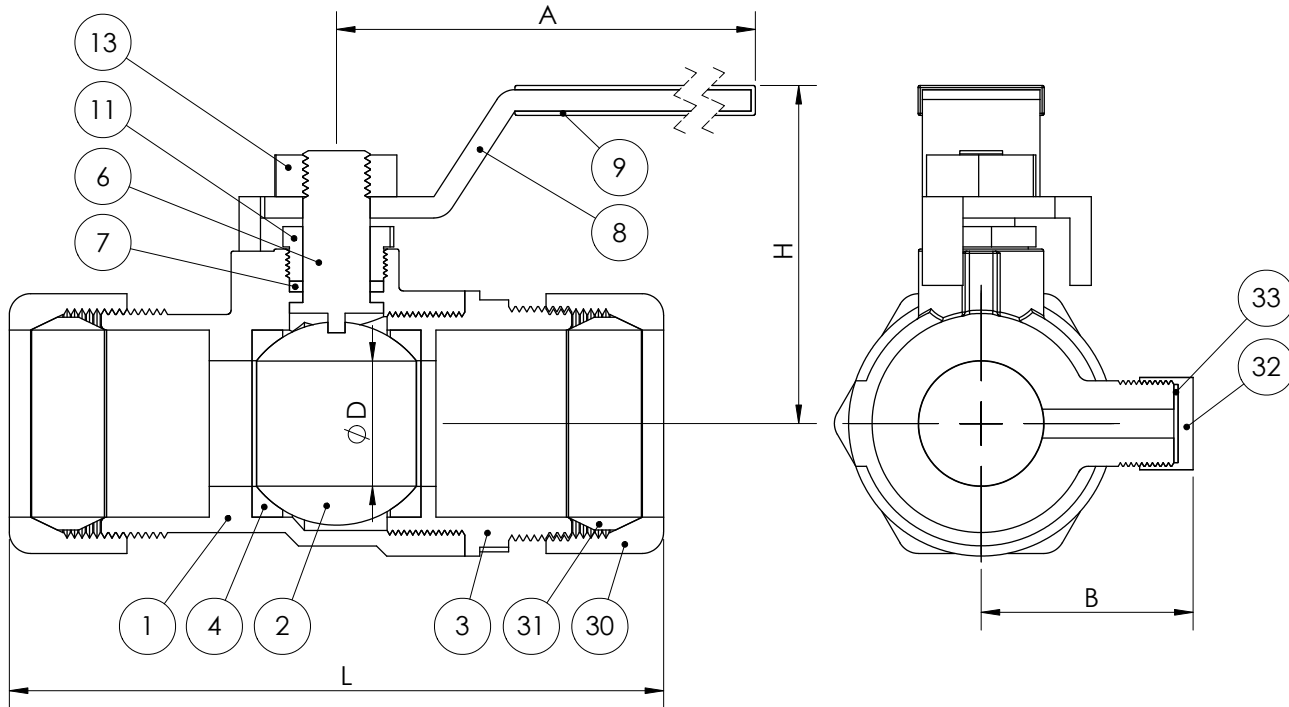
FNW 480A Size
SIZE CODE
1/2 = D
3/4 = F
1 = G

Kit Codes (Order Separately)

FNW 410A Kit Size
KIT TYPE SIZE CODE
Replacement Handle = BRYLWH 1/2" & 3/4" = BD*
Locking Lever = LHK 1" = FG
Stem Extension = SE
Tee Handle = THK
Oval Handle = OHK
Memory Stop = MSK

* NOTE: Size code "BD" includes the 3/4" valve because the figure 480A is a standard port configuration.

2 PC STANDARD PORT 400 WOG BALL VALVE w/COMPRESSION ENDS & DRAIN



Dimensions (inches)

SIZE	ØD	L	H	A	B	Wt. (Lbs)
1/2	0.39	2.76	1.46	2.95	0.83	0.47
3/4	0.59	2.99	1.57	2.95	0.98	0.65
1	0.75	3.62	1.85	3.94	1.10	1.19

Cv & Weights

SIZE	Cv	Wt. (Lbs)
1/2	8	0.47
3/4	20	0.65
1	26	1.19

Standard Materials

Ref. No.	Description	Material	Qty
1	Body	ASTM B124-C37700 Brass	1
2	Ball	ASTM B16-C36000 Brass (Chrome Plated)	1
3	End Cap	ASTM B124-C37700 Brass	1
4	Seat	PTFE	2
6	Stem	ASTM B16-C36000 Brass	1
7	Stem Packing	PTFE	1
8	Handle	ASTM A283-D Steel (Zinc Plated)"	1
9	Handle Sleeve	Vinyl	1
11	Packing Gland	ASTM B16-C36000 Brass	1
13	Handle Nut	AISI-1010 Steel (Zinc Plated)	1
30	Compression Nut	ASTM B548-C85700 Bronze	2
31	Compression Ring	ASTM B135-C26000 Brass	2
32	Drain Cap	ASTM B16-C36000 Brass	1
33	Drain Cap Seal	NBR	1

DOC: FNW480ABV11 Ver. 11/2013

© 2013 - FNW. All rights reserved.

The FNW logo is a trademark of Ferguson Enterprises, Inc., PL Sourcing, PO Box 2778, Newport News, VA 23609

The contents of this publication are presented for information purposes only, and while effort has been made to ensure their accuracy, they are not to be construed as warranties or guarantees, expressed or implied, regarding the products or services described herein or their use or applicability. All sales are governed by our terms and conditions, which are available on request. We reserve the right to modify or improve the designs or specifications of our products at any time without notice. Always verify that you have the most recent product specifications or other documentation prior to the installation of these products.