

**2 PC FULL PORT 600 WOG**

**Features:**

- Sweat Connection
- 600 WOG
- 150 WSP
- Full Port
- PTFE Seats
- Meets MSS SP-110 Standards
- Blow-out Proof Stem
- Adjustable Packing
- Stocked Configurations:
  - Standard Lever (1/2" to 3")
  - Tee Handle (1/2" to 1")
- Optional Lock Lever Kit
- Optional Stem Extension Kit
- Optional Tee Handle Kit
- Optional Oval Handle Kit
- Optional Memory Stop Kit

**NOT FOR USE AT OR BELOW GROUND LEVEL**



Standard Lever (1/2"~ 3")



**Figure Number Matrix**

FNW 411A		Handle	Size
HANDLE CODE		SIZE CODE	
Standard Handle = Blank		1/2 = D	1-1/2 = J
Tee Handle (1/2"~1") = T		3/4 = F	2 = K
		1 = G	2-1/2 = L
		1-1/4 = H	3 = M

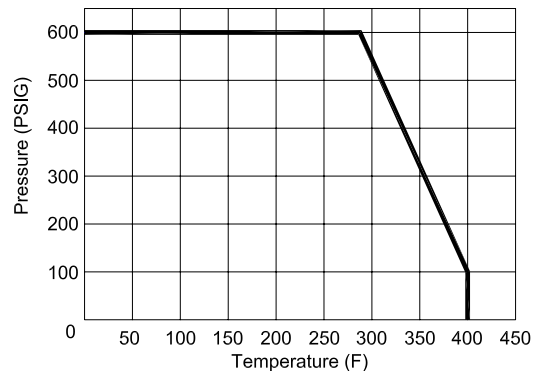


Tee Handle (1/2"~1")

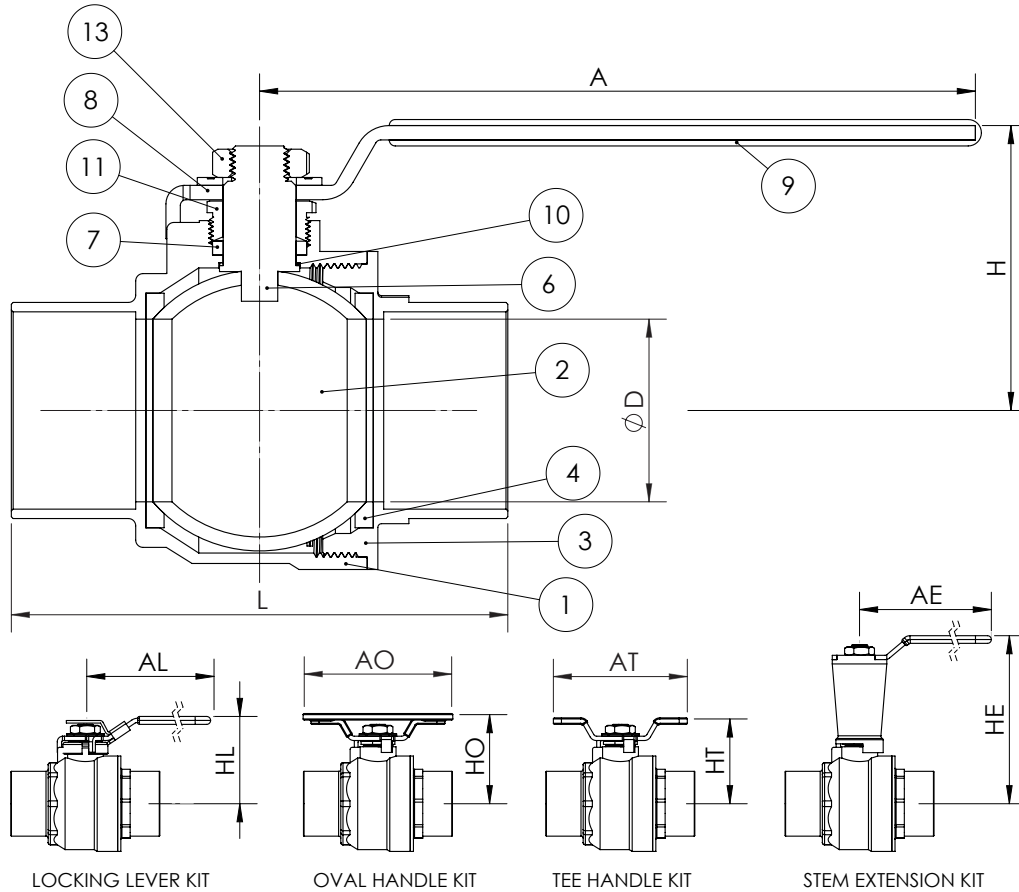
**Kit Codes (Order Separately)**

FNW 410A		Kit	Size
KIT TYPE		SIZE CODE	
Replacement Handle = BRYLWH		1/2" = BD	
Locking Lever = LHK		3/4" ~ 1" = FG	
Stem Extension = SE		1-1/4" ~ 1-1/2" = HJ	
Tee Handle* = THK		* 2" ~ 3" = KP	
Oval Handle* = OHK			
Memory Stop = MSK			

\* NOTE: Due to the higher torque requirements of larger valves, use of Tee and Oval handles on valves larger than 1-1/2" can be difficult to operate.



## 2 PC FULL PORT 600 WOG



### Standard Materials

Ref. No.	Description	Material	Qty	Remarks
1	Body	ASTM B124-C37700 Brass ASTM B584-C85700 Brass	1	1/2" to 1-1/2" 2" to 3"
2	Ball	ASTM B16-C36000 Brass (Chrome Plated) ASTM B124-C37700 Brass (Chrome Plated)	1	1/2" & 3/4" (Solid) 1" to 3" (Shell)
3	End Cap	ASTM B124-C37700 Brass	1	
4	Seat	PTFE	2	
6	Stem	ASTM B16-C36000	1	
7	Stem Packing	PTFE	1	
8	Handle	ASTM A283-D Steel	1	Zinc Plated
9	Handle Sleeve	Vinyl	1	
10	Thrust Washer	PTFE	1	2" to 3"
11	Packing Gland	ASTM B16-C36000	1	
13	Handle Nut	AISI-1010 Steel	1	Zinc Plated

### Dimensions (inches) & Weights

SIZE	ØD	A	L	H	Wt. (Lbs)
1/2	0.50	3.10	1.91	1.43	0.31
3/4	0.75	4.32	2.69	1.79	0.64
1	0.98	4.32	3.30	2.00	0.90
1-1/4	1.26	5.11	3.77	2.35	1.40
1-1/2	1.50	5.11	4.30	2.48	1.92
2	1.97	7.80	5.39	3.16	3.74
2-1/2	2.48	7.80	6.18	3.57	8.03
3	2.95	7.80	7.14	3.88	8.60

SIZE	AL	HL	AO	HO	AT	HT	AE	HE	Wt. (Lbs)
1/2	3.06	1.64	2.80	1.44	2.70	1.30	2.95	4.28	0.31
3/4	4.32	2.17	3.60	1.71	3.40	1.82	3.95	4.75	0.64
1	4.32	2.35	3.60	2.05	3.40	1.94	3.95	4.90	0.90
1-1/4	5.09	2.78	4.39	2.34	4.03	2.24	4.92	5.24	1.40
1-1/2	5.09	2.96	4.39	2.44	4.03	2.34	4.92	5.40	1.92
2	7.75	3.70	5.38	3.17	4.85	3.03	8.00	6.03	3.74
2-1/2	7.75	4.13	5.38	3.62	4.85	3.50	8.00	6.44	8.03
3	7.75	4.46	5.38	3.95	4.85	3.76	8.00	6.79	8.60

DOC: FNW411A11 Ver. 2/2014

© 2014 - FNW. All rights reserved.

The FNW logo is a trademark of Ferguson Enterprises, Inc., PL Sourcing, PO Box 2778, Newport News, VA 23609

The contents of this publication are presented for information purposes only, and while effort has been made to ensure their accuracy, they are not to be construed as warranties or guarantees, expressed or implied, regarding the products or services described herein or their use or applicability. All sales are governed by our terms and conditions, which are available on request. We reserve the right to modify or improve the designs or specifications of our products at any time without notice. Always verify that you have the most recent product specifications or other documentation prior to the installation of these products.