

# FIGURE 330A STAINLESS STEEL BALL VALVES



## 3 PC SANITARY 400 CWP W/CLAMP ENDS

### FEATURES

- 400 PSI CWP non-shock
- 150 PSI WSP
- Clamp ends
- Blowout-proof stem
- Live-loaded packing
- Anti-static design
- Investment cast body
- Internal polished body and ball surface (Ra 32µin / 0.8µm)
- Double stem seal
- Cavity filled TFM (super TFE) seat design
- Stainless steel handle
- Locking lever
- Direct mounting pad
- Vacuum rated to 26.967"Hg (75 Torr)\*
- Manufactured silicone free
- Replacement locking handle kits available



### ACCESSORIES



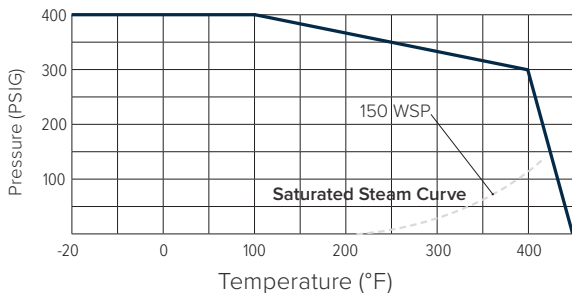
Replacement Locking Handle Kits

### PRODUCT SPECIFICATIONS

#### Standards

- Design: MSS SP-110
- End connections: ASME BPE
- Seat/shell test: MSS SP-110
- Mounting pad: ISO 5211
- Corrosion Resistance: NACE MR0103 and MR0175
- Fugitive Emissions: ISO 15848-1

\* Vacuum measurements are often made in inches of mercury below atmospheric pressure. The values calculated here assume standard atmospheric pressure of 29.92 inches of mercury.



### TORQUE (IN-LBS)

Size /ΔP	75 psig	150 psig	300 psig
	5 Bar	10 Bar	20 Bar
1/2	44	44	44
3/4	53	53	53
1	88	88	97
1-1/2	168	168	195
2	221	257	283
2-1/2	354	398	434
3	575	637	717
4	885	973	1,080

Note: 30% safety factor is recommended when sizing actuator.

### CV & WEIGHT

Size	Cv	Wt (lbs)
1/2	16	1.28
3/4	41	2.27
1	75	3.17
1-1/2	240	6.56
2	430	9.92
2-1/2	690	18.47
3	1000	26.12
4	1970	51.37

### FIGURE NUMBER MATRIX

FNW 330A	
Size Code	
1/2" = D	2" = K
3/4" = F	2-1/2" = L
1" = G	3" = M
1-1/2" = J	4" = P

### HANDLE KIT CODES (ORDER SEPARATELY)

FNW 310AM	
Kit Code	Size Code
Locking Handle = LHK	1/2"-3/4" = BF
	1"-1-1/4" = GH
The figure 330A uses the same handle kit as the 310AM	1-1/2"-2" = JK
	2-1/2"-3" = LM
	4" = P

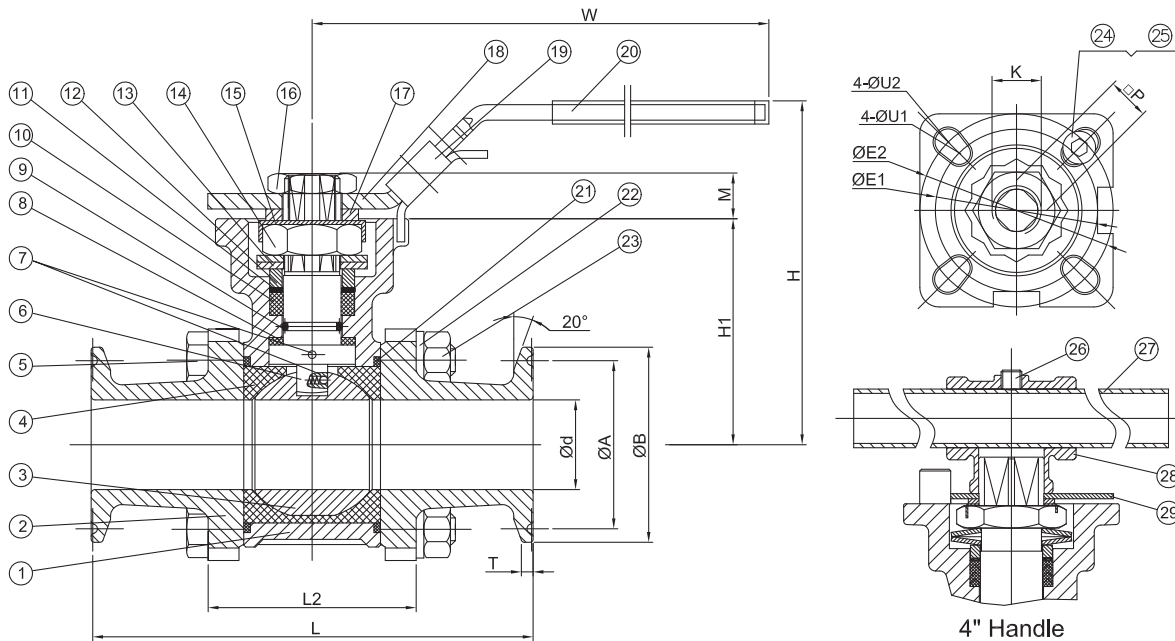
### REPAIR KITS (ORDER SEPARATELY)

FNW 330ARK	
Size Code	
1/2" = D	2" = K
3/4" = F	2-1/2" = L
1" = G	3" = M
1-1/2" = J	4" = P

# FIGURE 330A STAINLESS STEEL BALL VALVES



## 3 PC SANITARY 400 CWP W/CLAMP ENDS



### DIMENSIONS (INCHES)

SIZE	Ød	L	H1	H	W	A	B	T	M	ØE1	ØE2	P	U1	U2	L2	K (UNF)
1/2	0.37	3.54	1.65	2.83	5.71	0.80	1.00	0.15	0.35	1.42	1.65	0.35	0.24	0.24	1.71	7/16-20
3/4	0.62	3.54	1.93	3.15	5.71	0.80	1.00	0.15	0.35	1.42	1.97	0.35	0.24	0.28	1.82	7/16-20
1	0.87	3.94	2.28	3.54	6.30	1.71	1.99	0.11	0.43	1.65	1.97	0.43	0.24	0.28	2.10	9/16-18
1-1/2	1.37	4.92	2.80	4.17	7.48	1.71	1.99	0.11	0.55	1.97	2.76	0.55	0.28	0.35	3.05	3/4-16
2	1.87	5.91	3.07	4.45	7.48	2.22	2.52	0.11	0.55	1.97	2.76	0.55	0.28	0.35	3.59	3/4-16
2-1/2	2.37	7.48	3.94	5.91	10.24	2.78	3.05	0.11	0.67	2.76	4.02	0.67	0.35	0.43	4.32	7/8-14
3	2.87	8.66	4.29	6.26	10.24	3.29	3.58	0.11	0.67	2.76	4.02	0.67	0.35	0.43	4.91	7/8-14
4	3.84	10.63	5.51	7.80	13.78	4.33	4.69	0.11	0.67	4.02	4.02	0.67	0.43	0.43	6.22	1-1/8-12

### STANDARD MATERIALS

Ref. No.	Description	Material	Qty
1	Body	ASTM A351 Gr. CF8M Stainless	1
2	End Cap	ASTM A351 Gr. CF8M Stainless	2
3	Ball	316SS Stainless	1
4	Seat	TFM1600	2
5	Body Bolt	ASTM A193-B8 Stainless	4
6	Stem	316SS Stainless	1
7	Anti-Static Device	316SS Stainless	2
8	Thrust Washer	PTFE	1
9	O-Ring	FKM	1
10	V-Ring Packing	PTFE	1 Set
11	Bushing	50% Stainless + 50% PTFE	1
12	Gland	316SS Stainless	1
13	Belleville Washer	301SS Stainless	2
14	Stem Nut	304SS Stainless	1

Ref. No.	Description	Material	Qty
15	Stop-Lock-Cap	304SS Stainless	1
16	Handle Nut	304SS Stainless	1
17	Square Washer	304SS Stainless	1
18	Handle	304SS Stainless	1
19	Lock Device	304SS Stainless	1
20	Handle Sleeve	Vinyl Plastic	1
21	Body Gasket	PTFE	2
22	Bolt Washer	304SS Stainless	4
23	Bolt Nut	304SS Stainless	4
24	Stop Bolt	304SS Stainless	1
25	Nut	304SS Stainless	1
26	Set Screw (4" only)	304SS Stainless	1
27	Handle (4" only)	ASTM A53 Steel + Zinc Plating	1
28	Adapter (4" only)	304SS Stainless	1
29	Stopper (4" only)	420SS Stainless	1