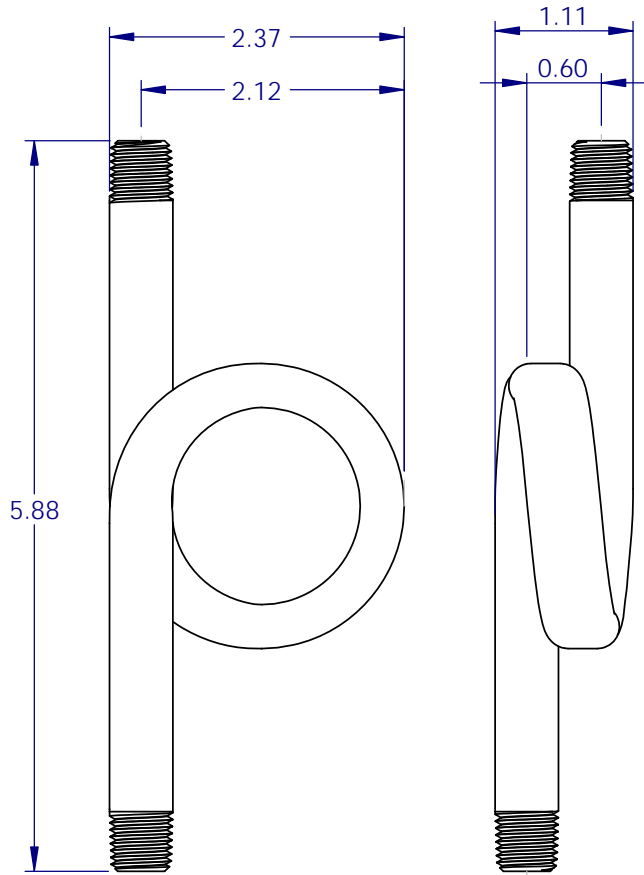
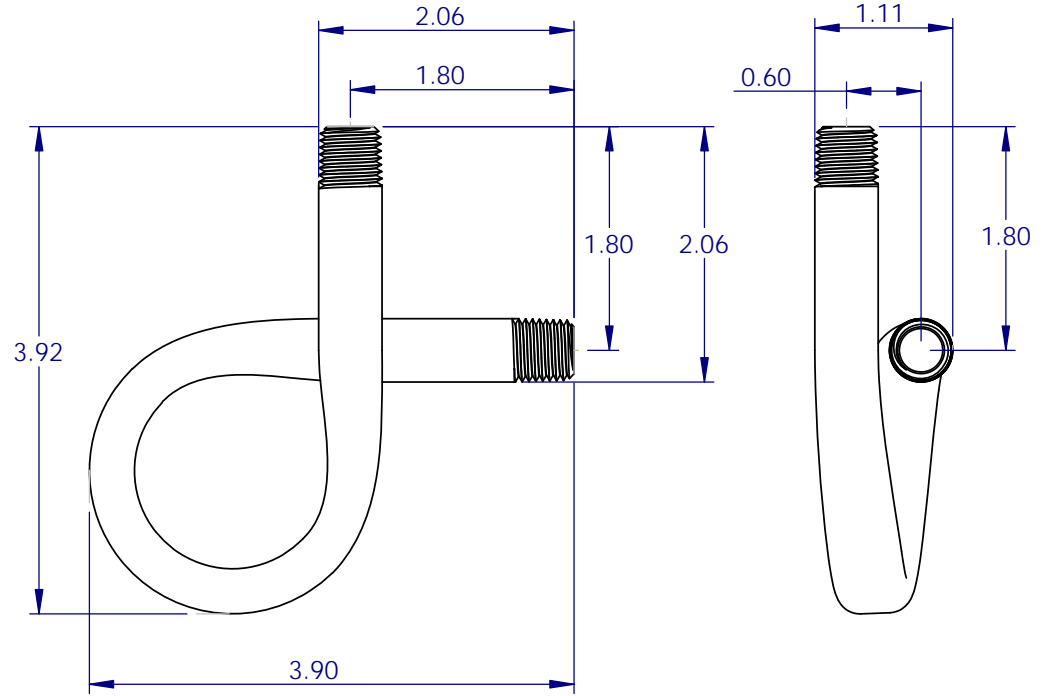


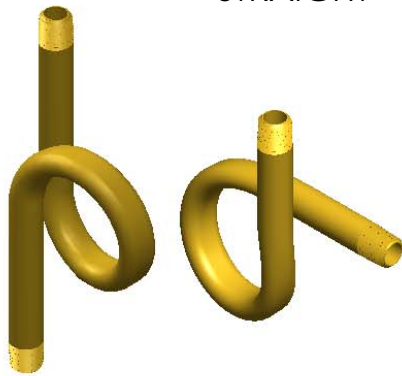
Dimensions are approximations only. Some variation may occur.



STRAIGHT



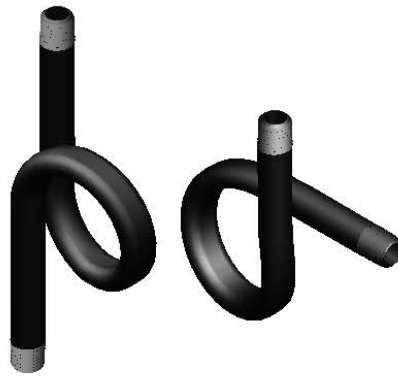
ANGLE



P/N - FNWPTSSBB

P/N - FNWPTSABB

BRASS



P/N - FNWPTSSB

P/N - FNWPTSASB

STEEL

		4120 NE Columbia Blvd Portland, OR 97211 Phone (503)287-8383 Fax (503)281-9677	
		TITLE/DESCRIPTION Pig Tail - Syphon 1/4" MNPT, Brass or Steel	
DATE:	2-15-2012	BY:	PEA
REV:	0	APVD:	KMC
		NUMBER:	PTS
CONFIDENTIAL AND PROPRIETARY INFORMATION BELONGING TO FNW VALVE. SUBMITTED FOR THE LIMITED PURPOSE OF PROVIDING INFORMATION ON PRODUCTS AND SYSTEMS. BY RECEIVING THIS DOCUMENT, YOU AGREE NOT TO DISCLOSE SUCH INFORMATION TO OTHERS EXCEPT BY WRITTEN PERMISSION OF FNW VALVE.			
UNITS:	INCHES	SCALE:	NTS
			PAGE 1 OF 1