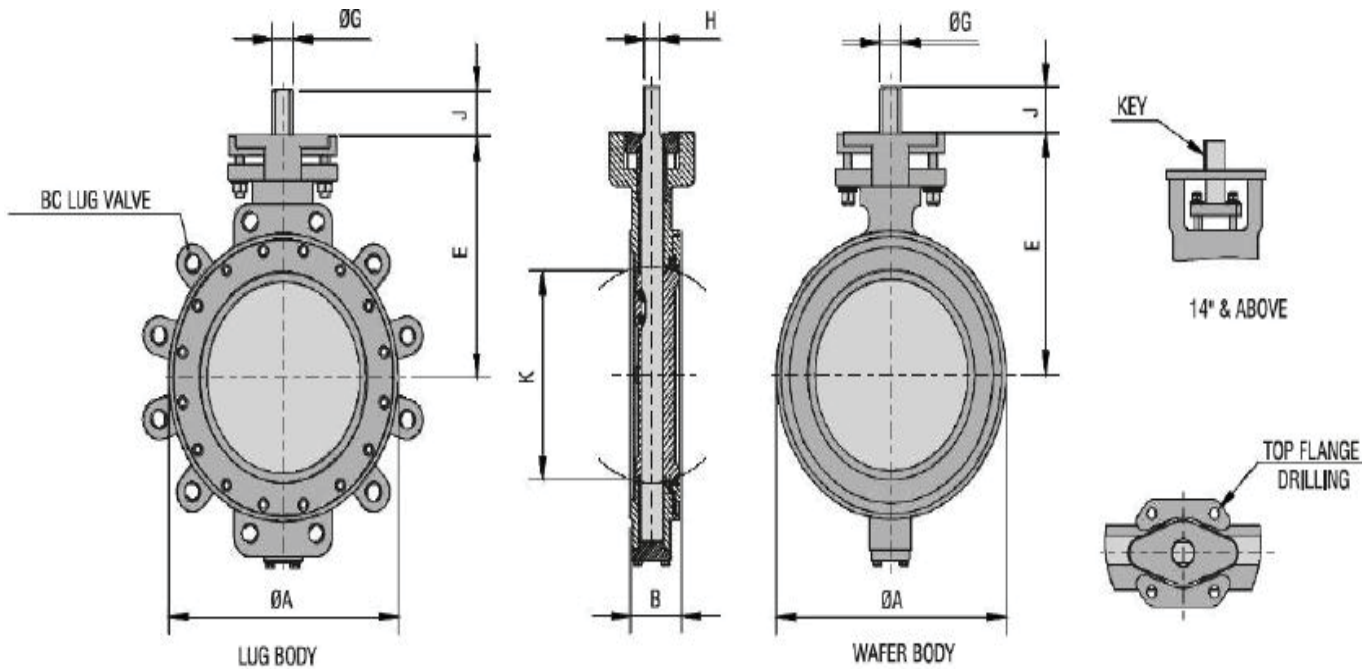


HPA Series 150# High Performance Butterfly Valve



Item	Component	Carbon Steel	Stainless Steel
1	Body	A216WCB	A351 CF8M
2	Disc	A351 CF8M	
3	Seat	Mod. RTFE (2" to 24")	
4	Stem	A564 71-4PH	A479 Type 316
5	Seat Retainer	CARBON STEEL	SS TYPE 304/SS TYPE 316
6	Disc Spacer	SS TYPE 316	
7	Bearing	BEAR - X/SS 316 + PTFE / HT 316	
8	Wedge Pin	17-4 PH	
9	Retainer Screw	A4-70 (SS316)	
10	Packing Support	SS TYPE 316	
11	Stem Packing	PTFE (CHEVRON)/GRAPHITE	
12	Gland	SS TYPE 316	
13	Snap Ring	STAINLESS STEEL	
14	Gland Flange	CARBON STEEL	SS TYPE 304
15	Gland Flange Stud	GR. B8	
16	Belleville Spring	STAINLESS STEEL	
17	Nyloc Nut	A2-70 (SS304)	
18	Gasket	PTFE / GRAPHITE	
19	Bottom Flange	CARBON STEEL	SS TYPE 304
20	Washer	SS TYPE 304	
21	Stud	GR. B8	
22	Hex Nut	GR. 8	

Valve Size	DN	ØA	B*	E	Top	Flange	Drilling	ØG	H	J	Key Size	K	Lug	Bolting	Data
					BC	No. of Holes	Hole Dia.						BC	No. of Holes	Threads
3	80	5.59	1.88	5.90	2.76	4	0.39	0.63	0.43	1.25	-	2.7	6.00	4	5/8-11
4	100	6.77	2.12	6.77	2.76	4	0.39	0.63	0.43	1.25	-	3.56	7.50	8	5/8-11
5	125	6.77	2.25	7.40	2.76/4.01	4	0.39/0.47	0.75	0.51	1.26	-	4.36	8.50	8	3/4-10
6	150	8.50	2.25	8.23	2.76/4.01	4	0.39/0.47	0.75	0.51	1.27	-	5.46	9.50	8	3/4-10
8	200	10.63	2.50	9.45	4.92	4	0.55	0.87	0.63	1.28	-	7.21	11.75	8	3/4-10
10	250	12.76	2.81	10.70	4.92	4	0.55	1.18	0.87	2.00	-	9.16	14.25	12	7/8-9
12	300	14.96	3.19	12.20	4.92	4	0.55	1.38	0.94	2.00	-	10.93	17.00	12	7/8-9
14	350	16.65	3.62	15.94	4.92/5.51	4	0.55/0.71	1.57	-	2.00	0.47 x 0.31	12.09	18.75	12	1-8
16	400	18.50	4.00	17.95	5.51/6.5	4	0.71/0.87	1.97	-	2.50	0.47 x 0.39	13.94	21.25	16	1-8
18	450	21.02	4.50	19.33	5.51/6.2	4	0.71/0.87	2.16	-	2.50	0.63 x 0.39	15.94	22.75	16	1 1/8-8
20	500	23.00	5.00	21.1	6.50	4	0.83	2.36	-	4.00	0.71 x 0.43	18.35	25.00	20	1 1/8-8
24	600	27.24	6.06	24.96	6.5/10	8	0.87/0.71	2.75	-	4.00	0.78 x 0.47	20.58	29.50	20	1 1/4-8



Title: HPA Series 150# High performance Butterfly Valve					
Date: 6-1-17	By: CA	App'd: Mike	Units: In.	Scale: None	Rev Date:
File: HPA.dwg		Model: HPA	DWG NO:	Rev: 0	

THIS DRAWING CONTAINS CONFIDENTIAL AND PROPRIETARY INFORMATION OF FNW VALVE AND IS SUBMITTED TO YOU FOR THE LIMITED PURPOSE OF PROVIDING YOU INFORMATION ON PRODUCTS AND SYSTEMS PURCHASED FROM FNW VALVE. BY RECEIVING THIS DOCUMENT, YOU AGREE NOT TO DISCLOSE SUCH INFORMATION TO OTHERS EXCEPT BY WRITTEN PERMISSION.