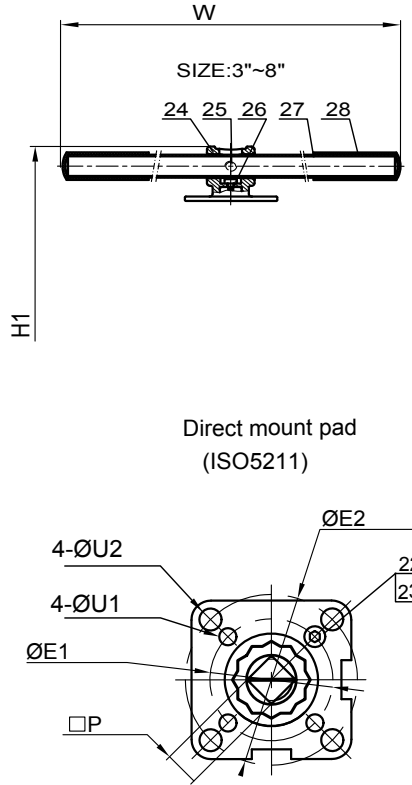
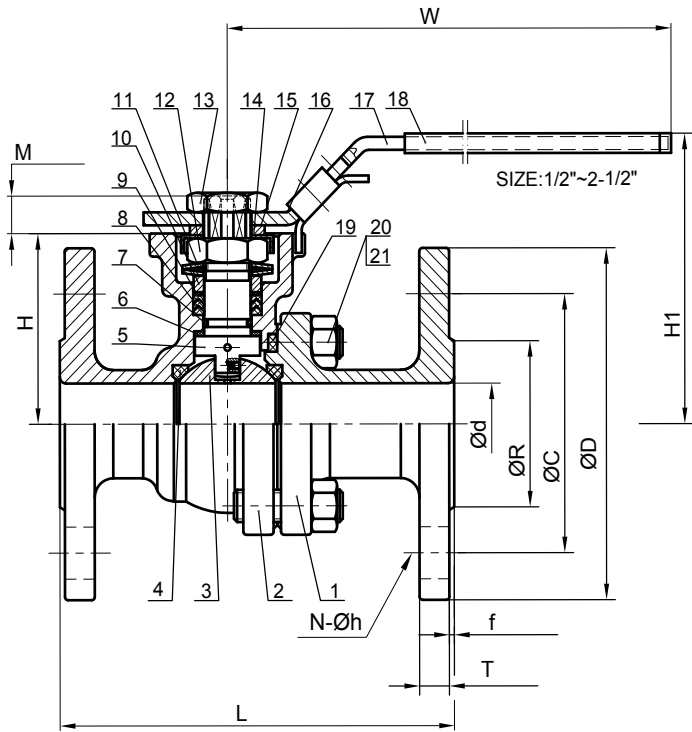


1/2"- 8" 2 PC FULL PORT 150# FLANGED STAINLESS STEEL



1	End Cap	CF8M
2	Body	CF8M
3	Ball	CF8M
4	Ball Seat	TFM1600+20%GF
5	Stem (Anti-Static Device)	316
6	Thrust Washer	TFM4215
7	O-Ring	FKM
8	Packing	GRAFOIL
9	Bushing	304
10	Gland	316
11	Belleville Washer	301
12	Stem Nut	A194-8
13	Handle Nut	(1-2"~2-1/2") 304
14	Stop-lock-cap	304
15	Handle Gland	304
16	Lock Device	(1-2"~2-1/2") 304
17	Handle	(1-2"~2-1/2") 304
18	Handle Sleeve	(1-2"~2-1/2") VINYL PLASTIC
19	Body Gasket	316 SPIRAL WOUND + GRAFOIL
20	Bolt Nut	A194-8
21	Bolting	A193-B8
22	Stop Bolt	A2-70
23	Stop Nut	A2-70
24	Handle Adapter	(3"~8") CF8
25	Set Screw	(3"~8") A2-70
26	Bolting	(3"~8") A2-70
27	Pipe Handle	(3"~8") A53+Zn PLATED
28	Handle Sleeve	(3"~8") VINYL PLASTIC

SIZE	d	L	R	D	C	T	f	N	h	H	H1	M	P	U1	U2	E1	E2	W	ISO5211	Torque (in lbs)	Weight (lbs)
1/2"	0.59	4.25	1.38	3.50	2.38	0.31	0.06	4	5/8	1.93	3.11	0.32	0.354	0.24	0.24	1.42	1.65	5.77	F03-F04	57	3.52
3/4"	0.79	4.62	1.69	3.88	2.75	0.34	0.06	4	5/8	2.09	3.31	0.35	0.354	0.24	0.28	1.42	1.97	5.77	F03-F05	69	4.71
1"	0.98	5.00	2.01	4.25	3.12	0.38	0.06	4	5/8	2.32	3.54	0.43	0.433	0.24	0.28	1.65	1.97	6.95	F04-F05	115	6.34
1-1/2"	1.50	6.50	2.88	5.00	3.88	0.50	0.06	4	5/8	2.99	4.33	0.55	0.551	0.28	0.35	1.97	2.76	7.75	F05-F07	218	12.98
2"	1.97	7.00	3.62	6.00	4.75	0.56	0.06	4	3/4	3.23	4.53	0.55	0.551	0.28	0.35	1.97	2.76	7.75	F05-F07	334	18.66
2-1/2"	2.50	7.50	4.12	7.00	5.50	0.62	0.06	4	3/4	4.02	5.91	0.67	0.669	0.35	0.43	2.76	4.02	10.5	F07-F10	517	30.14
3"	2.99	8.00	5.00	7.50	6.00	0.69	0.06	4	3/4	4.41	6.93	0.67	0.669	0.35	0.43	2.76	4.02	11.9	F07-F10	828	38.61
4"	3.94	9.00	6.19	9.00	7.50	0.88	0.06	8	3/4	5.51	8.31	0.87	0.866	non	0.43	non	4.02	15.8	F10	1,265	65.52
6"	5.91	15.5	8.50	11.0	9.50	0.94	0.06	8	7/8	7.99	11.18	1.06	1.063	0.55	non	4.92	non	31.6	F12	3,520	163.00
8"	7.97	18.0	10.63	13.5	11.75	1.06	0.06	8	7/8	9.96	13.15	1.06	1.063	0.55	non	4.92	non	31.6	F12	4,947	282.00



Title: Figure 600C 1PC Full Port 150# Flanged Stainless Steel					
Date: 3-22-18	By: CA	App'd: Mike	Units: In.	Scale: None	Rev Date:
File: 600C_1/2-8.dwg	Model: 600C		DWG NO:	Rev: 0	

THIS DRAWING CONTAINS CONFIDENTIAL AND PROPRIETARY INFORMATION OF FNW VALVE AND IS SUBMITTED TO YOU FOR THE LIMITED PURPOSE OF PROVIDING YOU INFORMATION ON PRODUCTS AND SYSTEMS PURCHASED FROM FNW VALVE. BY RECEIVING THIS DOCUMENT, YOU AGREE NOT TO DISCLOSE SUCH INFORMATION TO OTHERS EXCEPT BY WRITTEN PERMISSION.