

Body: Lead Free Brass, HBI59-1

Handle: ABS, Plastic

O-ring: rubber

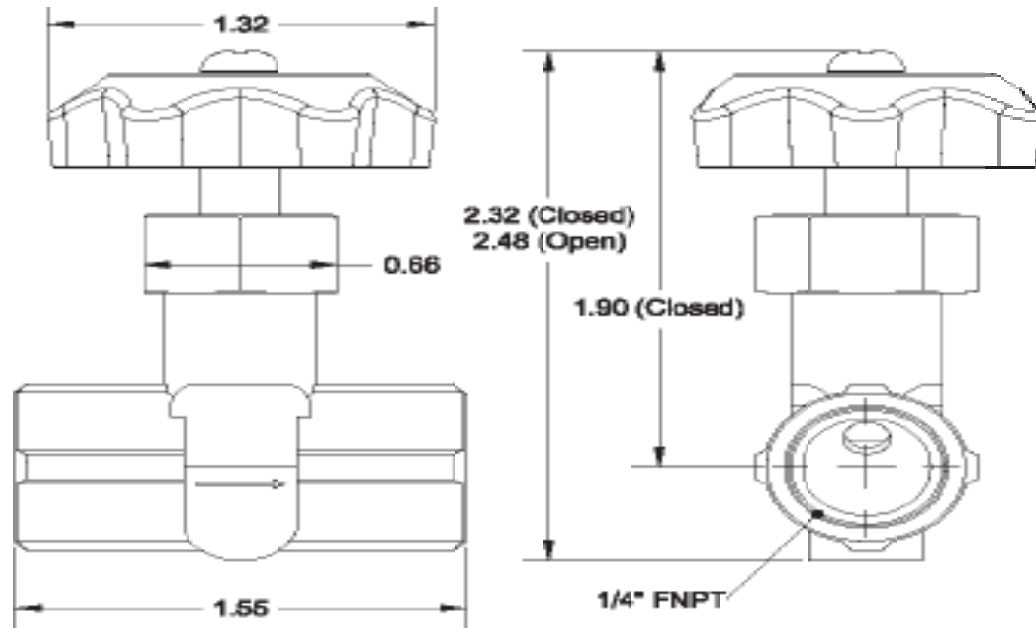
Shaft: Lead Free Brass, HBI59-1

Nut: Lead Free Brass, HBI59-1

Process Temperature: -9°F to 212°F

Maximum Operating Pressure: 600PSI

Connection: 1/4" NPT female



DRAWN BY: CA

APPROVAL: MC

ALL DIMENSIONS IN INCHES/MM

TOLERANCES
(unless otherwise stated)

Fractional: $\frac{1}{64}$ " 0.4mm

Decimal: 0.06" 1.5mm

REVISION DATE: 7 - 2016

TITLE:

NEEDLE VALVE, BRASS, 1/4" NPT

DRAWING NO: FNWXNV