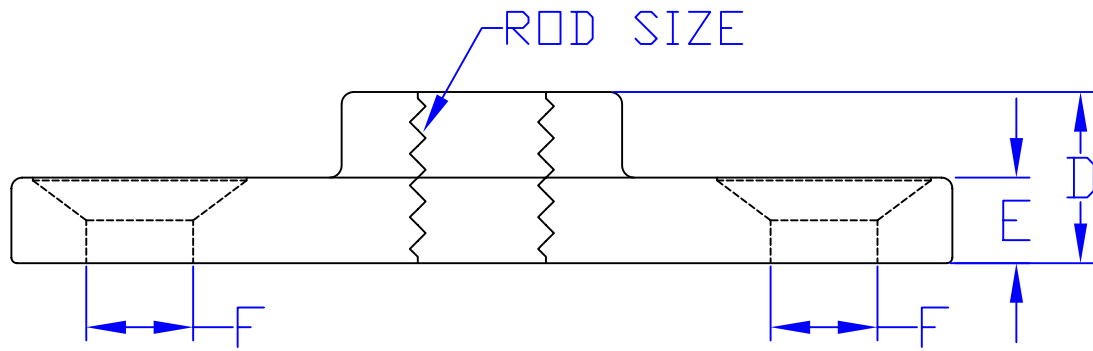


<b>MATERIAL</b>	MALLEABLE IRON
<b>STANDARD</b>	ASTM A47 Grade 32510
<b>FINISH</b>	PLAIN
	ZINC PLATED COPPER PLATED
<b>MAX. LOAD</b>	180 LBS.



ROD SIZE	A	B	C	D	E	F
3/8" - UNC	2.75	2.00	1.375	0.50	0.25	0.3125
1/2" - UNC	2.75	2.00	1.375	0.50	0.25	0.3125

<b>FNW™</b>		4120 NE Columbia Blvd Portland, OR 97211 Phone (503) 287-8383 Fax (503) 281-9677
TITLE/DESCRIPTION: MI CEILING FLANGE - 180 LBS. LOAD CAPACITY		
DATE: 7-11-2006	BY: PEA	UNITS: INCHES
SCALE: NONE	APPD:	PAGE(S): 1
MODEL: 7502		
DWG NO: 7502		
NOTES:		
FILE: FNW7502.dwg	WT:	LOC: PORTLAND
PAGE SIZE: 8.5 x 11L	REV: 0	RDATE:
THIS DRAWING CONTAINS CONFIDENTIAL AND PROPRIETARY INFORMATION OF FNW VALVE AND IS SUBMITTED TO YOU FOR THE LIMITED PURPOSE OF PROVIDING YOU INFORMATION ON PRODUCTS AND SYSTEMS PURCHASED FROM FNW VALVE. BY RECEIVING THIS DOCUMENT, YOU AGREE NOT TO DISCLOSE SUCH INFORMATION TO OTHERS EXCEPT BY WRITTEN PERMISSION OF FNW VALVE.		