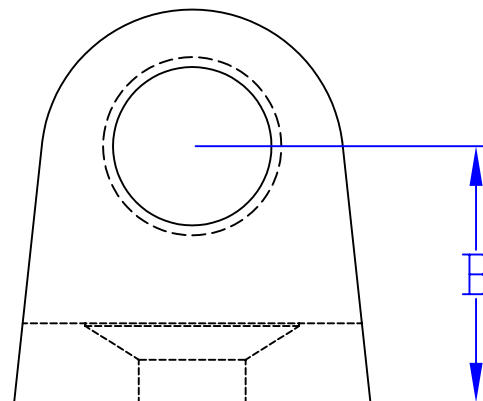


ROD SIZE	A	B	MAX. LOAD (Lbs.)
3/8"	2.1875	0.5625	250
1/2"	2.7500	0.7500	480
Material	MALLEABLE IRON		
Standard	ASTM A47 Grade 32510		
Finish	PLAIN		



FNW™	4120 NE Columbia Blvd Portland, OR 97211 Phone (503) 287-8383 Fax (503) 281-9677	
	TITLE/DESCRIPTION: MI SIDE BEAM CONNECTOR - 3/8" 250 LBS. LOAD CAPACITY, 1/2" 400 LBS. LOAD CAPACITY	
DATE: 7-12-2006	BY: PEA	UNITS: INCHES
SCALE: NONE	APPD:	PAGE(S): 1
MODEL: 7501		
DWG NO: 7501		
NOTES:		
FILE: FNW7501.dwg	WT:	LOC: PORTLAND
PAGE SIZE: 8.5 x 11L	REV: 0	RDATE:
THIS DRAWING CONTAINS CONFIDENTIAL AND PROPRIETARY INFORMATION OF FNW VALVE AND IS SUBMITTED TO YOU FOR THE LIMITED PURPOSE OF PROVIDING YOU INFORMATION ON PRODUCTS AND SYSTEMS PURCHASED FROM FNW VALVE. BY RECEIVING THIS DOCUMENT, YOU AGREE NOT TO DISCLOSE SUCH INFORMATION TO OTHERS EXCEPT BY WRITTEN PERMISSION OF FNW VALVE.		