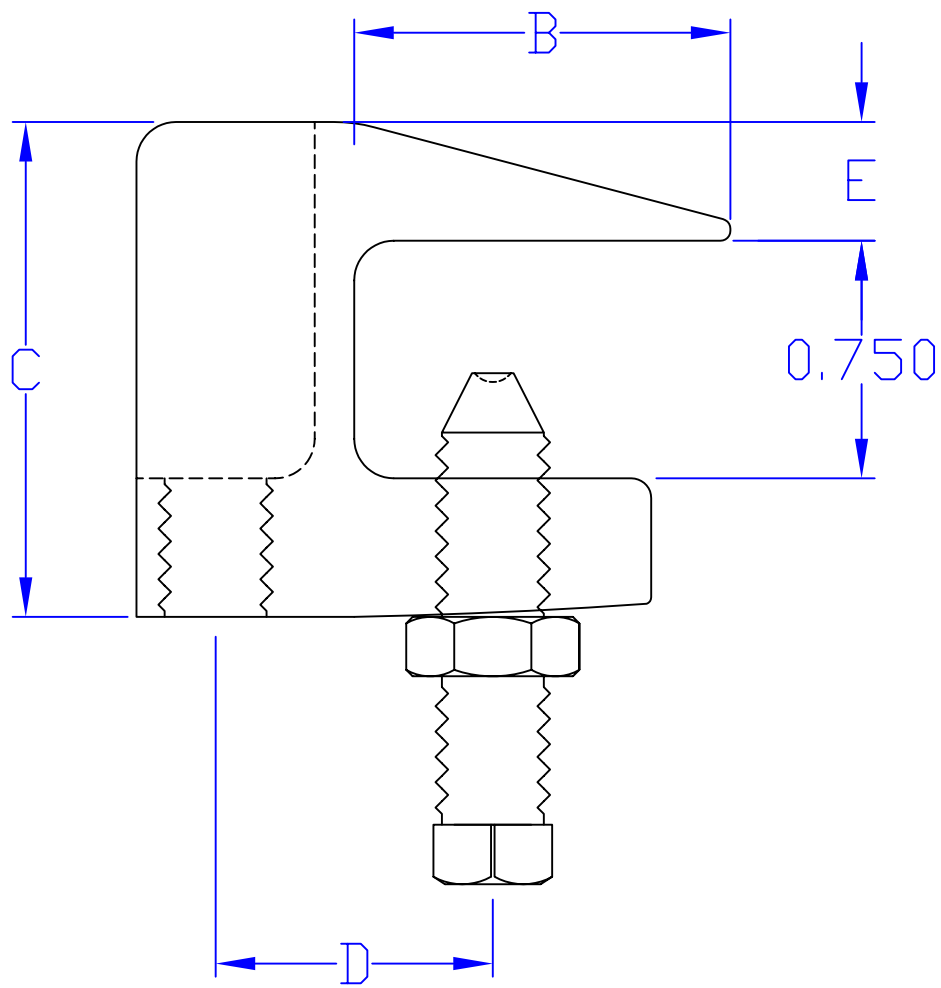


ROD SIZE (UNC)	3/8"	1/2"	5/8"	3/4"
MAX. LOAD (Lbs.)	400	500	600	800
MATERIAL	MALLEABLE IRON			
STANDARD	ASTM A47 Grade 32510			
FINISH	PLAIN or ZINC			

ROD SIZE	A	B	C	D	E
3/8"	1.875	1.219	1.563	0.875	0.406
1/2"	2.063	1.200	1.625	0.969	0.438
5/8"	2.188	1.200	1.750	1.063	0.500
3/4"	2.375	1.200	1.750	1.063	0.500



FNW™		4120 NE Columbia Blvd Portland, OR 97211 Phone (503) 287-8383 Fax (503) 281-9677
TITLE/DESCRIPTION: MIJR BEAM CLAMP - 400 TO 800 LBS. LOAD CAPACITY (3/8" TO 3/4" ROD)		
DATE: 7-13-2006	BY: PEA	UNITS: INCHES
SCALE: NONE	APPD:	PAGE(S): 1
MODEL: 7203		
DWG NO: 7203		
NOTES:		
FILE: FNW7203.dwg	WT:	LOC: PORTLAND
PAGE SIZE: 8.5 x 11L	REV: 0	RDATE:
THIS DRAWING CONTAINS CONFIDENTIAL AND PROPRIETARY INFORMATION OF FNW VALVE AND IS SUBMITTED TO YOU FOR THE LIMITED PURPOSE OF PROVIDING YOU INFORMATION ON PRODUCTS AND SYSTEMS PURCHASED FROM FNW VALVE. BY RECEIVING THIS DOCUMENT, YOU AGREE NOT TO DISCLOSE SUCH INFORMATION TO OTHERS EXCEPT BY WRITTEN PERMISSION OF FNW VALVE.		